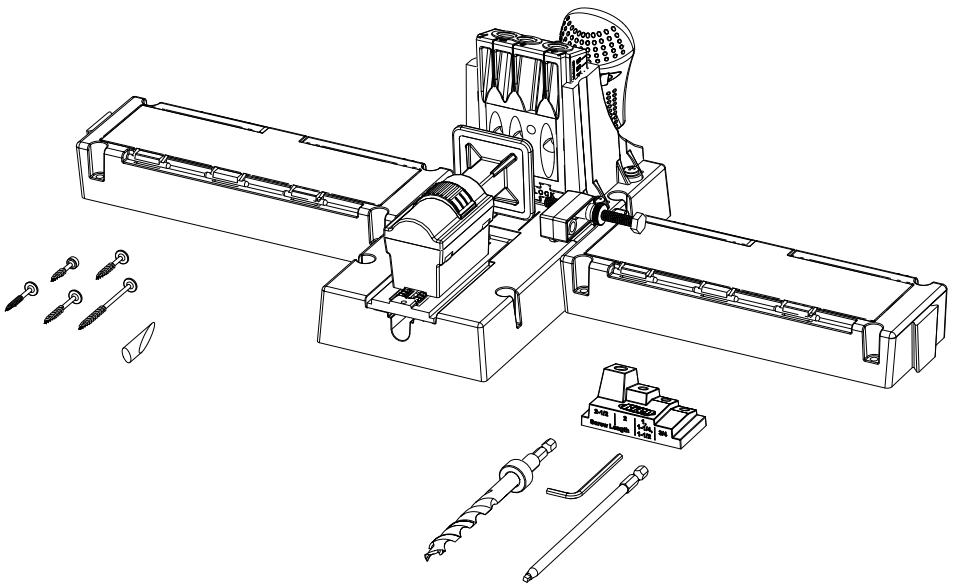




Kreg Jig® K5 / Kreg Jig® K5 Master System
Owner's Manual
Guide d'utilisation • Manual del propietario



Safety Guidelines

Read this manual and these safety guidelines. Learn the applications and limitations of the tool as well as the hazards specific to it. Operating the tool before understanding safe and proper use could result in personal injury. **SAVE THIS MANUAL.**

- Always wear eye, hearing, and respiratory protection specifically designed and certified as safety equipment.
- The drill bit is sharp. Handle with care.
- Avoid awkward hand positions where a sudden slip could cause contact with the rotating bit.
- Properly secure your workpiece before drilling. When using the drill guide independently of the jig base, do not attempt to hold the drill guide in place by hand. Always use a clamp.
- Follow your drill manufacturer's safety guidelines.
- Do not operate this tool or any machinery while under the influence of drugs, alcohol, or medications.
- Do not allow familiarity gained from frequent use of your tools to replace safe work practices. A moment of carelessness is sufficient to cause severe injury.

⚠ WARNING: This product can expose you to chemicals including Acrylonitrile and other chemicals, which are known to the State of California to cause cancer and reproductive harm. For more information go to www.P65Warnings.ca.gov.

⚠ WARNING: Drilling, sawing, sanding or machining wood products can expose you to wood dust, a substance known to the State of California to cause cancer. Avoid inhaling wood dust or use a dust mask or other safeguards for personal protection. For more information go to www.P65Warnings.ca.gov/wood.

Introduction

Owning a Kreg Jig® opens up new project possibilities. This manual shows you how to adjust your jig and drill pocket holes. You may find the following resources helpful:

Kreg Tool Online

kregtool.com. Find it all here: product information, videos, tips, project plans, and more.

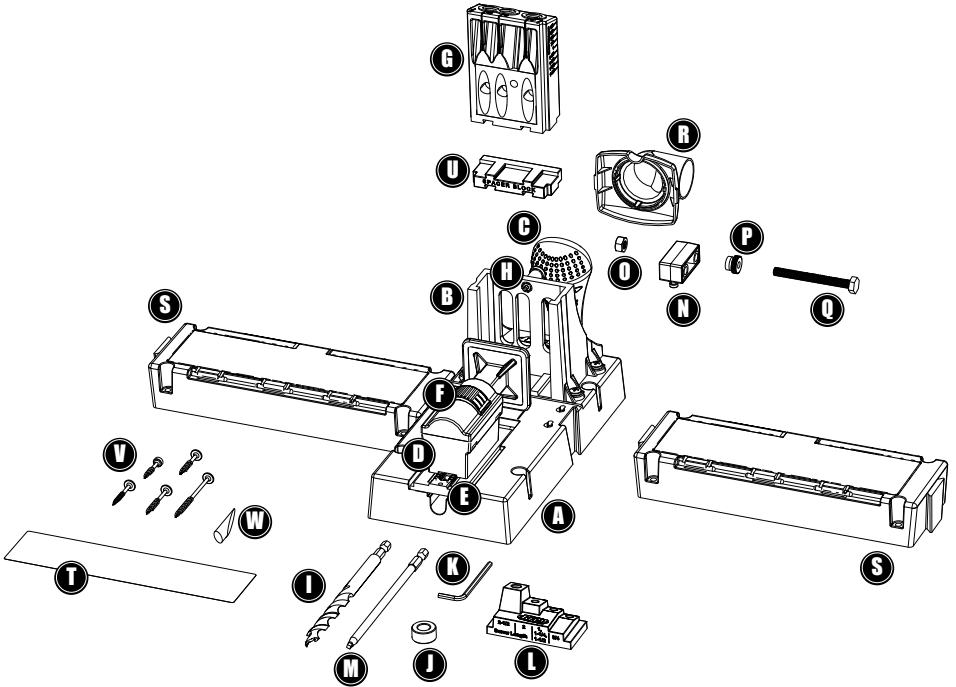
Kreg Owner's Community

kregjig.ning.com. Join thousands of enthusiastic Kreg owners who swap tips and advice, share their projects, and more.

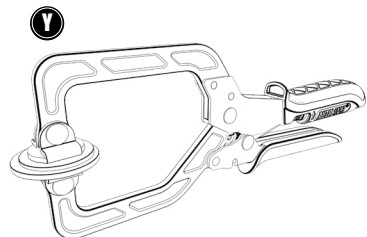
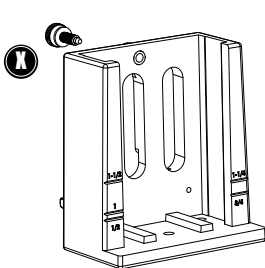
Kreg Newsletters: Sign up for our free email newsletters at **kregtool.com**.

- **Kreg Plus:** Your source for handy woodworking and DIY tips and tricks, project ideas, and much more.
- **Kreg Tool News:** Stay up to date on the latest Kreg tools and learn about special offers.
- **Kreg Community News:** Learn about projects being built in the Kreg Owner's Community, and get free plans.

Your Kreg Jig® K5 or K5 Master System is almost ready to use right out of the box. Apply the screw-length selection guide label to the inside of one extension lid. Place the jig on your workbench and fit the dovetail keys on the extensions into the dovetail slots in the base. The jig and extensions feature holes for mounting to a board.



Additional Master System Parts



K5 and K5 Master System Parts

- A Base**
Features four holes for securing the jig to a workbench or auxiliary base
- B Drill-guide socket**
Accepts all Kreg drill guides: Micro, Standard (included), and HD
- C Toggle handle**
Operates workpiece clamping mechanism
- D Clamp assembly**
Powerful internal spring applies clamping pressure
- E Ratchet plate**
Provides clamp-assembly adjustment
- F Ratchet release**
Disengages clamp assembly from ratchet plate
- G Standard drill guide**
Features marks for positioning the guide for different workpiece thicknesses
- H Locking pin**
Spring-loaded pin locks the drill guide into the drill-guide socket at the selected setting
- I Step bit**
Simultaneously drills a pilot hole and clearance hole, forming a bearing shoulder for the screw head
- J Stop collar**
Controls drilling depth
- K Hex wrench**
For the stop-collar set screw
- L Stop-collar setting block**
Ensures proper positioning of the depth collar on the drill bit
- M Driver bit**
#2 square-drive bit 6" (152mm) long
- N Workpiece stop**
Stop snaps into keyhole slots in the base
- O Workpiece stop fine-adjustment nut**
¼-20 nut fits into hex recess in workpiece stop
- P Knurled nut**
Nylon knurled nut acts as jam nut to fix the position of the fine-adjustment screw
- Q Fine-adjustment screw**
¼-20 x 2 ½" (64mm) nylon bolt threads into nut to provide no-slip fine adjustment

K5 and K5 Master System Parts

- R Vacuum port**
Accepts a 1¼" (32mm) shop vacuum hose for efficient chip removal, swivels side to side
- S Extension Wings**
Provide support for wide workpieces and storage for bits and accessories
- T Screw-length selection guide**
Apply this self-adhesive label to the inside of an extension lid for easy reference
- U Spacer block**
In repair applications, positions the drill guide for drilling pocket holes in ¾" (19 mm)-thick material
- V Pocket-screw sample pack**
Contains 10 each of the five most often used screws
- W Pocket-hole plug sample pack**
Contains five paint-grade wood plugs

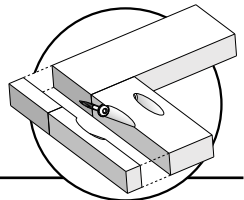
Additional Master System Parts

The K5 Master System includes the following parts

- X Portable base**
Accepts Micro, Standard, and HD drill guide blocks. Useful for large panels or assemblies that would be difficult to clamp into a bench-mounted jig. Built-in cams secure the portable base to your Kreg clamp.
- Y 3" Wood Project Clamp with Automaxx®**
Provides fast and secure clamping when assembling a pocket-screwed joint. Set the desired pressure and this 3"-reach clamp automatically adjusts to any material thickness up to 3" (76mm).

Using the Kreg Jig® K5 and K5 Master System

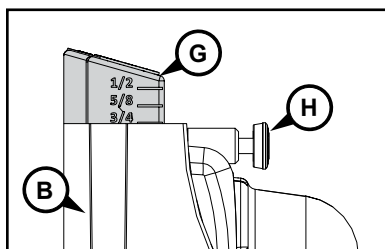
To create strong joints, you'll set your jig to match the thickness of the workpiece and the length of the screw. The Kreg Jig® makes this easy, in just four simple steps:



5 Using the Kreg Jig® K5 and K5 Master System

1 Set the Drill Guide

For a strong joint, the screw should exit close to the center of the workpiece. To adjust the pocket-hole position, retract the spring-loaded drill-guide locking pin (H). Then raise or lower the drill guide (G) until the mark on the side of the guide that matches the thickness of the workpiece is even with the top of the guide socket (B). Release the locking pin.



2 Choose a Screw

Coarse Thread

Due to the large diameter and thread pitch, our #8 coarse-thread screws offer a strong hold in softwoods and composite materials.



Use in woods such as:

- Pine • Cedar • Basswood • Poplar
- Plywood • Melamine • Particle Board

Fine Thread

Because the smaller diameter and thread pitch of our #7 fine-thread screws reduce the chance of splitting the material, we recommend them for hardwoods.



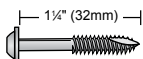
Use in woods such as:

- Ash • Oak • Maple • Walnut • Hickory
- Cherry • Mahogany • Birch

All Kreg pocket screws feature a deep square drive that improves driver engagement and reduces the possibility of cam-out. The self-tapping auger point eliminates the need to drill a pilot hole.

Your **KREG projects** demand **KREG Screws**. Learn why at kregtool.com/kregscrews

Kreg offers a complete line of pocket screws for every workpiece thickness and type. Use this chart to select the correct screw length. All Kreg pocket screws are available at your Kreg dealer or online at kregtool.com.



Note: Screw length is measured from bottom of the head to the tip of the screw.

Screw Selection / Kreg Jig® Setting Chart

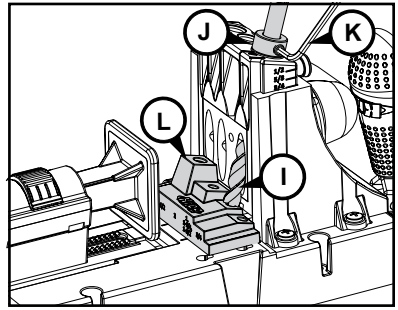
Material Thickness	Screw Length	Kreg Jig® Setting
1/2" [13 mm]*	1" [25 mm]**	1/2" Mark
5/8" [16 mm]	1" [25 mm]	5/8" Mark
3/4" [19 mm]	1 1/4" [32 mm]	3/4" Mark
7/8" [22 mm]	1 1/2" [38 mm]	7/8" Mark
1" [25 mm]	1 1/2" [38 mm]	1" Mark
1 1/8" [29 mm]	1 1/2" [38 mm]	1 1/8" Mark
1 1/4" [32 mm]	2" [51 mm]	1 1/4" Mark
1 3/8" [35 mm]	2" [51 mm]	1 3/8" Mark
1 1/2" [38 mm]	2 1/2" [64 mm]	1 1/2" Mark

 *Panhead pocket screw recommended.

**When using optional Micro-Pocket™ Drill Guide, 3/4" screws are recommended for 1/2" material. See Micro Owner's manual

3 Position the Stop Collar

Place the stop-collar setting block (L) on the jig base in front of the drill guide. Slide the step bit (I) into one of the drill guide bushings and drop the pilot tip into the hole in the block that corresponds to the length of the screw you'll be using. With the step bit shoulder resting on the block, slide the stop collar (J) onto the drive-end of the bit so it rests on the drill guide. Tighten the stop collar set screw with the hex wrench (K).



Example: 3/4" (19mm) board, 1/4" (32mm) screw

Use the chart below as a guide for positioning the drill-bit stop collar when using the standard drill guide and bit as well as the optional Micro Pocket Drill Guide and bit and Kreg Jig® HD drill guide and bit. Always make a test joint with stock the same thickness as your finished workpieces before proceeding with your project.

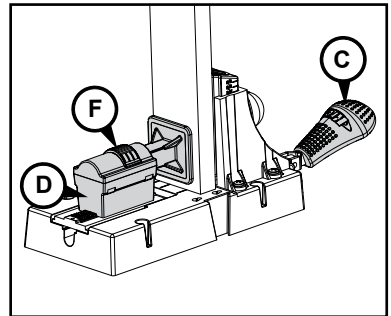
Using the Stop-Collar Setting Block

Drill Guide & Bit	Material Thickness	Screw Length	Setting Block Step
Micro*	1/2" (13mm)	3/4"***	3/4"
Micro* & Standard	1/2" - 1 1/8" (13mm-29mm)	1", 1 1/4", 1 1/2"	1", 1 1/4", 1 1/2"
Standard	1 1/4" - 1 3/8" (32mm-35mm)	2"	2"
Standard & HD*	1 1/2" (38mm)	2 1/2"	2 1/2"

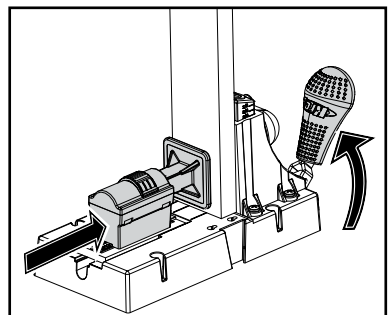
*optional accessories **Use a panhead pocket screw.

4 Adjust the Clamp Assembly

Press down on the ratchet release (F) and slide the clamp assembly (D) all the way back. Position the workpiece against the drill guide. Move the toggle handle (C) to the full-down (clamped) position. Slide the clamp assembly forward until the pad contacts the workpiece. (You'll hear the adjustment mechanism clicking.)

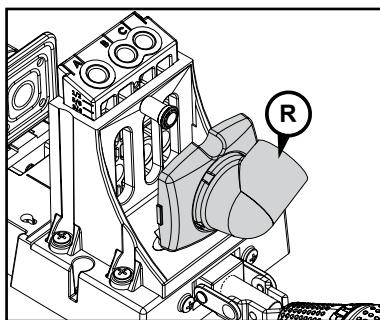


Holding the clamp assembly against the workpiece, raise the toggle handle until you hear the adjustment mechanism click two times. Move the toggle handle to the clamped position. Check to make sure the workpiece is securely held in place. If needed, raise the toggle handle one more click. The clamp assembly is now positioned so the internal spring applies sufficient pressure to secure the workpiece when the toggle handle is in the full-down position.



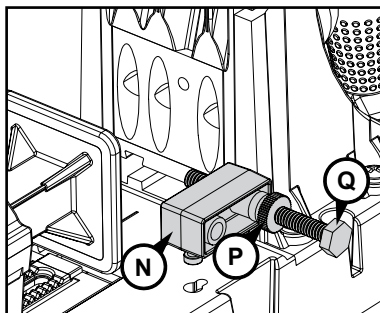
Vacuum Port

This chip-collection attachment (R) snaps into place on the back of the drill guide socket. The port accepts any standard 1¼" (32mm) vacuum hose and conveniently swivels from side to side. In addition to helping keep your work area clean, efficient chip removal speeds drilling time and reduces heat build-up, extending the life of your drill bit.



Workpiece Stop

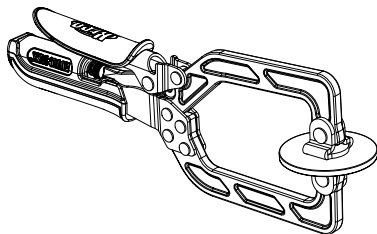
For repetitive pocket-hole drilling operations, the stop (N) snaps into keyhole slots in the base. To install, drop the pegs on the bottom of the stop into the large end of the keyhole slots and slide the stop toward the front of the jig. For precise pocket-hole placement, press the steel nut (O) into one of the hexagonal recesses in the stop. Thread the knurled nut (P) onto the nylon bolt (Q) and thread the bolt into the nut from the opposite side of the stop. The nut and bolt work together to provide easy adjustment and the knurled nut locks the bolt in position.



Kreg Jig® K5 Master System Additional Features

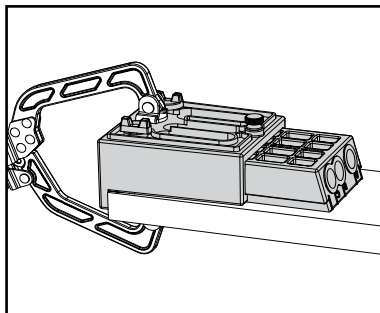
3" Wood Project Clamp with Automaxx®

These 3" (76mm)-reach clamps automatically adjust to workpiece thickness up to 3" (76mm). To keep joints perfectly aligned when driving pocket screws, clamp the workpieces to a flat surface, centering the clamp pad over the joint line. Adjust the clamp to apply enough pressure to keep the workpieces flush and stable but not so tight that clamping and unclamping are difficult.



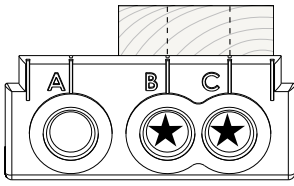
Portable Base

Use this base for large panels or assemblies that would be difficult to clamp into a bench-mounted jig. Remove the drill guide from the drill-guide socket and slide it into the portable base. Align the mark on the side of the drill guide that matches the thickness of the workpiece with the top edge of the portable base. Screw in the locking pin. The base also accepts Micro and HD drill guide blocks. Built-in cams secure the portable base to a Kreg clamp.



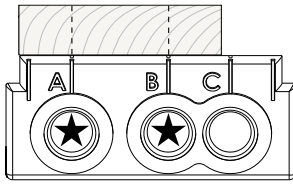
In addition to the proper Kreg Jig® settings, spacing pocket holes evenly across the workpiece is an important part of getting a strong joint. The Kreg Jig® features a three-hole drill guide that allows you to do this in a variety of workpiece widths without the need to reposition the workpiece after drilling each hole. Use the guide below to determine how to position your workpiece for drilling pocket holes.

1" to 2" Wide Material (25mm to 51mm Wide Material)



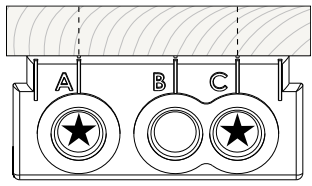
Use B and C guides

2" to 3" Wide Material (51mm to 76mm Wide Material)



Use A and B guides

3" to 4" Wide Material (76mm to 102mm Wide Material)



Use A and C guides

For wide parts such as panels, we recommend placing the first pocket hole 2" (51mm) from the panel edge and every 6" (152mm) to 8" (203mm) on center after that. When drilling panels, you can use any drill guide hole.

Drilling Pocket Holes

Before turning on the drill, slide the bit into the drill guide until the tip of the bit touches the workpiece. Withdraw the bit about 1/4" (6mm). Turn on the drill, make sure it is running at full speed, and feed the bit into the workpiece. Always run variable-speed or multi-speed drills at the fastest speed. A shop vacuum connected to the vacuum port quickly removes the wood chips and the hole can be drilled in one motion. When not using a shop vacuum, remove the vacuum port, and while drilling the pocket hole, partially withdraw the bit several times to clear the chips. Stop drilling when the stop collar contacts the drill guide. Wait until the drill stops rotating to withdraw the bit from the drill guide.

Joining parts

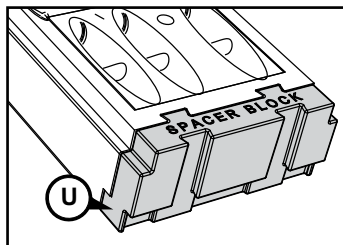
With the pocket holes drilled, position and clamp your parts. Small flat assemblies can be aligned by clamping them to a flat surface. When using a Kreg clamp to clamp large flat assemblies off the edge of your work surface, position the large clamp pad on the side of the joint opposite the pocket holes. Align the corners of case assemblies, such as a cabinet or bookshelf, using bar clamps or a Kreg right-angle clamp. (See **Optional Accessories.**)

With your assembly securely clamped, drive the pocket screws using a variable-speed drill/driver and the included 6" (152mm) driver bit. For drills with a clutch, adjust it to fully seat the screws without over-driving them.

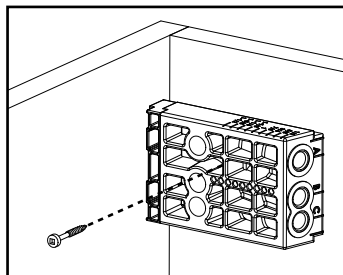
Repair Applications

For repair applications, remove the drill guide from the drill guide socket and clamp it directly to the workpiece.

For $\frac{1}{2}$ " (13mm)-thick material, align the bottom of the drill guide with the edge or end of the part to be drilled. For thicker stock, attach one or more spacer blocks (U) to the drill guide. Each spacer block accommodates an additional $\frac{1}{4}$ " (6mm) in material thickness. For example, $\frac{3}{4}$ " (19mm)-thick material requires one spacer block, 1" (25mm)-thick material requires two blocks, and $1\frac{1}{4}$ " (32mm)-thick material requires three blocks. One spacer block is included with your Kreg Jig®. Additional blocks are available.

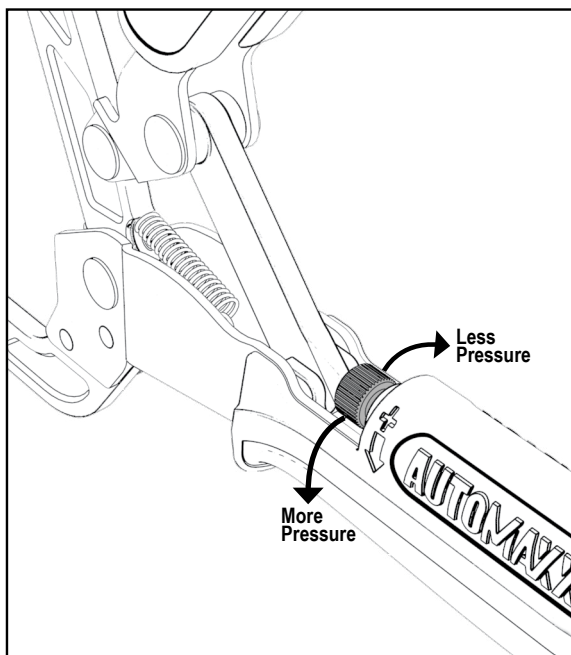


When using the drill guide separately in a repair application, remember to set the stop collar, and firmly secure the drill guide to the workpiece with a Kreg clamp. In situations where using a clamp is not possible, you may screw the drill guide directly to the workpiece, as shown.



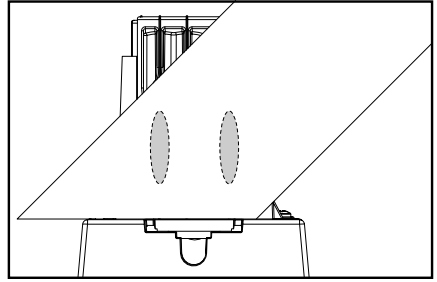
Adjusting Clamp Pressure

To increase clamp pressure, turn the knurled-head screw to the left (viewed from the handle-end of the clamp); for less pressure, turn the screw to the right.

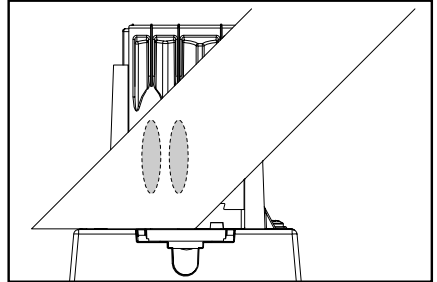


Mitered Corners

For boards at least 3" (76mm) wide, pocket holes drilled with the "A" and "C" guides both fit entirely on the face of the board. In this situation, simply position the mitered workpiece on the jig, clamp it in place, and drill.

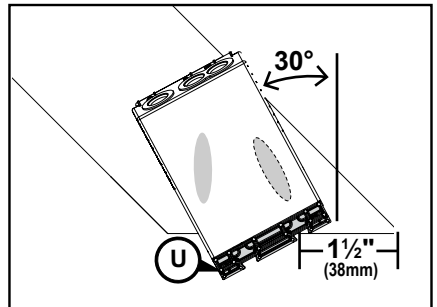


For boards at least 2³/₈" (60mm) wide, pocket holes drilled with the "B" and "C" guides both fit entirely on the face of the board. In this situation, simply position the mitered workpiece on the jig, clamp it in place, and drill.

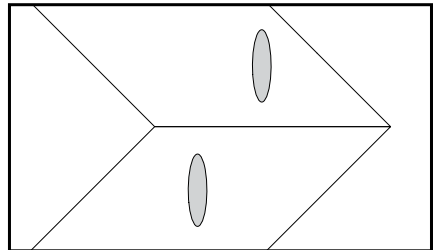


Mitered Corners

To position a pocket screw close to the miter "toe" on a wide workpiece or to position a second pocket screw on a narrow workpiece and still have the hole entirely on the face of the part, drill the pocket hole closest to the miter heel with the drill guide in the drill guide socket. Remove the guide from the socket. For 3/4" (19mm)-thick stock, attach a spacer block (U) to the drill guide. Position the drill guide with the spacer-block end 1 1/2" (38mm) from the miter toe, and then angle the drill guide away from the toe at a 30-degree angle. Clamp the drill guide in place and drill the pocket hole.

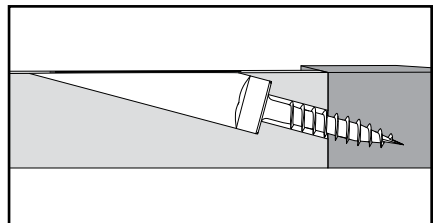


You also can drill one pocket hole on each side of a miter joint rather than drilling both holes on the same side.



Joining 1/2" (13mm)-thick stock

When using the optional Micro Pocket Drill Guide and drill bit with 1/2" (13mm)-thick stock, join the parts with Kreg SPS-F075 screws. The small-diameter head of these 3/4" (19mm) panhead screws seats below the workpiece surface to allow plugging with a Micro pocket-hole plug.



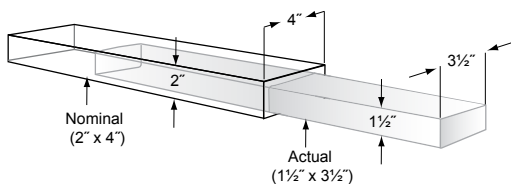
Common Board Sizes

Nominal Size	Actual Size
1x2	$\frac{3}{4}$ " x $1\frac{1}{2}$ "
1x3	$\frac{3}{4}$ " x $2\frac{1}{2}$ "
1x4	$\frac{3}{4}$ " x $3\frac{1}{2}$ "
1x6	$\frac{3}{4}$ " x $5\frac{1}{2}$ "
1x8	$\frac{3}{4}$ " x $7\frac{1}{4}$ "
2x2	$1\frac{1}{2}$ " x $1\frac{1}{2}$ "
2x4	$1\frac{1}{2}$ " x $3\frac{1}{2}$ "
2x6	$1\frac{1}{2}$ " x $5\frac{1}{2}$ "
2x8	$1\frac{1}{2}$ " x $7\frac{1}{4}$ "
4x4	$3\frac{1}{2}$ " x $3\frac{1}{2}$ "
6x6	$5\frac{1}{2}$ " x $5\frac{1}{2}$ "

Nominal Size vs. Actual Size

At a lumberyard or home center you'll see labels on lumber such as "1x6" and "2x4." These "nominal" sizes once described the dimensions of rough-cut lumber before it was milled to finished or actual size. Actual size is always smaller than nominal size.

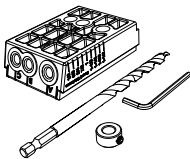
The board-thickness marks on your Kreg Jig® refer the actual thickness of the board. For example, a 1x4 is actually $\frac{3}{4}$ " thick, so you'll set your jig to the $\frac{3}{4}$ " mark.



6 Tips to Reduce Wood Splitting

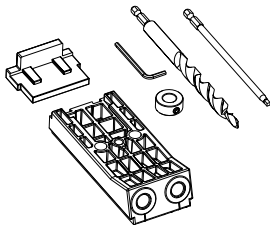
- 1 Test Pieces**
 Test the joint with scrap pieces cut from the same stock as your final workpiece.
- 2 Make sure you're using Kreg Screws**
 Kreg screws feature sharp, self-tapping tips that slice through the wood fibers.
- 3 Use the Right Screw Type**
 Use fine-thread screws in hardwood. These #7 screws displace less wood than the #8 coarse-thread screws that are used for softwood, plywood, MDF, and particleboard.
- 4 Drive Progressively**
 Drive the screw half-way in, back it out to clear excess wood fibers from the hole, and then drive the screw all the way in.
- 5 Reduce Friction**
 Apply bee's wax or other lubricant to the screw to reduce the friction as the screw enters the workpiece.
- 6 Clamp Correctly**
 Center the clamp pad on the joint line to apply equal pressure to both workpieces and keep them from shifting. Firm clamping pressure forces the screw to slice through the wood instead of splitting it apart.

Available from your Kreg dealer or online at kregtool.com



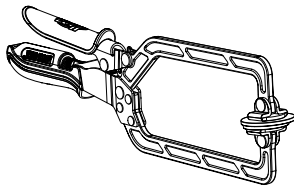
Micro Pocket™ Drill Guide

With a hole diameter 25% smaller than our standard pocket hole, the Micro Pocket™ Drill Guide lets you create compact pocket holes in small projects, thin stock, and tight repair applications.



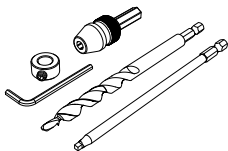
Kreg Jig® HD

Designed for use with 1½" (38mm)-thick and thicker framing material, this heavy-duty system features #14 x 2 ½" (64mm) pocket screws.



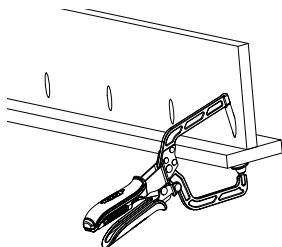
6" Wood Project Clamp with Automaxx®

Set the desired pressure and these 6" (152mm)-reach clamps automatically adjust to materials up to 5" (127mm) thick.



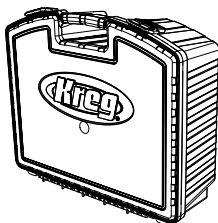
Quick Change Kit

Switch from drilling pocket holes to driving pocket-hole screws in seconds. The quick-change chuck installs in any three-jaw drill chuck to accept standard ¼" (6mm) hex-shank bits.



Right-Angle Clamp with Automaxx®

Slip the steel-pin jaw of this clamp into a pocket hole to clamp workpieces together at a 90-degree angle. Then drive a screw into an adjacent pocket hole.



Kreg System Organizer

Keep your entire pocket-hole workshop in this compact, fitted case. Accommodates K3, K4, or K5 pocket-hole jigs, Kreg clamps, Micro, HD, and plug cutter drill-guide blocks, drill and driver bits, and an assortment of pocket screws.

Lisez attentivement ce guide et ces consignes de sécurité. Assurez-vous de connaître le fonctionnement et les restrictions de l'outil ainsi que les risques liés à son utilisation. Le fait d'utiliser cet outil sans comprendre son utilisation sécuritaire et adéquate peut entraîner des blessures graves. **CONSERVEZ CE MANUEL.**

- Portez toujours des lunettes de sécurité, des protecteurs auditifs et un dispositif de protection des voies respiratoires spécialement conçus et certifiés comme équipement de sécurité.
- Le foret est coupant. Soyez prudent lorsque vous le manipulez.
- Évitez de placer les mains à un endroit où elles risquent d'entrer en contact avec la mèche si la pièce travaillée glisse soudainement.
- Fixez correctement la pièce travaillée avant de la percer. Lorsque vous utilisez le guide-foret indépendamment de la base du gabarit, ne tenez pas le guide-foret avec vos mains. Utilisez toujours un serre-joint.
- Suivez les consignes de sécurité du fabricant de votre perceuse.
- N'utilisez pas cet outil ni aucun autre appareil lorsque vous êtes sous l'effet de drogues, d'alcool ou de médicaments.
- L'habitude liée à une utilisation fréquente de vos outils ne remplace pas une méthode de travail sécuritaire. Il suffit d'être négligent une fraction de seconde pour se blesser gravement.

⚠ Avertissement : Cet article peut vous exposer à des produits chimiques, notamment à l'acrylonitrile et à d'autres produits chimiques reconnus par l'État de la Californie comme étant la cause de cancers et de problèmes liés aux fonctions reproductrices. Pour plus de renseignements, rendez-vous au www.P65Warnings.ca.gov.

⚠ Avertissement : Le perçage, le sciage, le ponçage et l'usinage des produits en bois peuvent vous exposer à de la poussière de bois, une substance reconnue par l'État de la Californie comme étant la cause de cancers. Évitez d'inhaler la poussière de bois ou utilisez un masque antipoussières ou d'autres mesures de sécurité pour vous protéger. Pour plus de renseignements, rendez-vous au www.P65Warnings.ca.gov/wood.

Introduction

Posséder un outil Kreg Jig® vous permettra de réaliser de nouveaux projets. Ce guide vous explique comment régler le gabarit pour percer des trous à angle. Les ressources suivantes pourraient vous être utiles :

Kreg Tool en ligne

kregtool.com. Vous trouverez tout ce dont vous avez besoin ici : de l'information sur les produits, des vidéos, des plans de projets et plus encore.

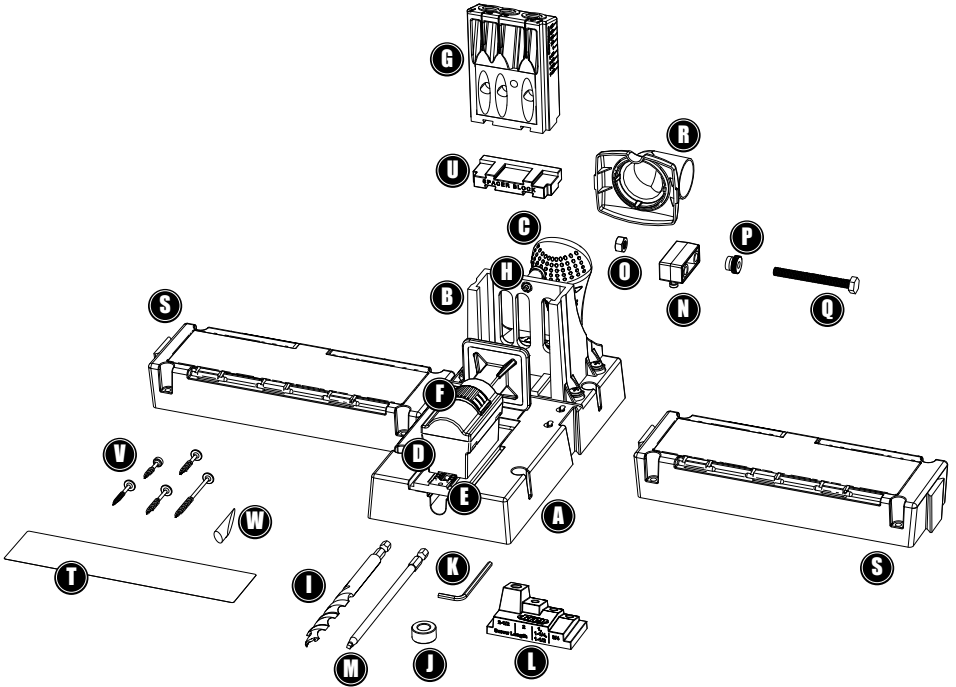
Communauté des propriétaires de Kreg

kregjig.ning.com. Joignez-vous à des milliers de propriétaires de produits Kreg enthousiastes qui échangent des conseils, partagent leurs projets et plus encore.

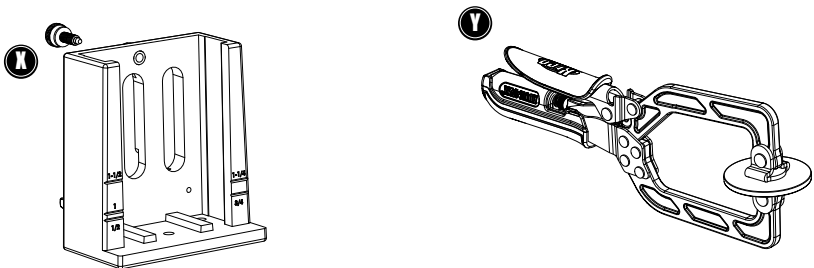
Bulletins Kreg : pour recevoir gratuitement par courriel notre bulletin d'information, inscrivez-vous sur **kregtool.com**.

- **Kreg Plus :** votre source de conseils pratiques pour le travail du bois et la réalisation de projets de bricolage, des idées de projets et plus encore.
- **Nouvelles Kreg Tool :** restez à l'affût des plus récents outils Kreg et renseignez-vous sur les offres spéciales.
- **Nouvelles de la communauté Kreg :** soyez au courant des projets entrepris par les membres de la communauté des propriétaires de Kreg et obtenez des plans gratuits.

Votre Kreg Jig® K5 ou le système de base K5 est presque prêt à être utilisé dès que vous le sortez de la boîte. Suivez les instructions figurant sur l'étiquette de sélection concernant la longueur des vis. Celle-ci se trouve à l'intérieur du couvercle de l'une des rallonges. Placez le gabarit sur votre établi et fixez les clés à queue d'aronde sur les rallonges situées à l'intérieur des rainures en queue d'aronde de la base. Le gabarit et les rallonges présentent des trous permettant de les installer à un panneau.



Autres pièces du système de base



K5 et pièces du système de base K5

- A Base**
Possède quatre trous pour fixer le gabarit à un établi ou à une base auxiliaire.
- B Support du guide-foret**
Convient à tous les guide-forets Kreg : micro, standard (inclus) et HD.
- C Poignée articulée**
Permet de faire fonctionner le mécanisme de serrage de la pièce travaillée.
- D Serre-joint**
Ressort interne puissant qui exerce une pression de serrage.
- E Plaque à cliquet**
Permet de régler le serre-joint.
- F Dégagement à cliquet**
Dégage le serre-joint de la plaque à cliquet.
- G Guide-foret standard**
Présente des marques permettant de positionner le guide pour les différentes épaisseurs de pièces travaillées.
- H Goupille d'arrêt**
Goupille à ressort permettant de fixer le guide-foret au support du guide-foret et au réglage sélectionné.
- I Foret**
Perce simultanément un avant-trou et un trou de passage, formant ainsi un épaulement pour la tête de la vis.
- J Collet de butée**
Permet de définir la profondeur du perçage.
- K Clé hexagonale**
Pour la vis de calage du collet de butée.
- L Bloc d'appui du collet de butée**
Assure le positionnement approprié du collet de butée sur le foret.
- M Embout**
Embout de vissage carré n° 2 de 152,4 mm (6 po).
- N Butée de pièce**
S'enclenche dans les encoches en trou de serrure de la base.
- O Écrou de réglage fin de la butée de pièce**
Écrou de 1/4-20 qui s'insère dans la cale de soutien de la butée de pièce.
- P Écrou moleté**
Écrou moleté en nylon qui agit en tant que contre-écrou pour fixer la position de la vis de réglage fin.

K5 et pièces du système de base K5

- Q Vis de réglage fin**
Boulon en nylon de 63,5 mm (1/4-20 x 2 1/2 po) qui se visse dans l'écrou pour assurer un réglage fin qui ne glisse pas.
- R Conduit d'aspiration**
Convient à un tuyau d'aspirateur d'atelier de 31,75 mm (1 1/4 po) pour un nettoyage efficace des copeaux. Pivote d'un côté à l'autre.
- S Rallonges**
Permettent de supporter de grandes pièces et offrent un espace de rangement pour les forets et les accessoires.
- T Guide de sélection de la longueur des vis**
Collez cette étiquette autoadhésive à l'intérieur du couvercle de l'une des rallonges pour vous y référer facilement.
- U Bloc-espaceur**
Lorsque vous effectuez des réparations, placez le guide-foret pour percer des trous en angle dans des matériaux de 19,05 mm (3/4 po) d'épaisseur.
- V Ensemble d'échantillons de vis pour perçage à angle**
Contient 10 de chacune des cinq vis les plus utilisées.
- W Ensemble d'échantillons de bouchons pour trous en angle**
Contient cinq bouchons de bois à peindre.

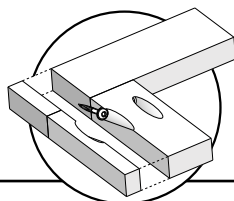
Autres pièces du système de base

Le système principal K5 comprend les pièces suivantes

- X Base portable**
Convient aux supports de guide-foret micro, standard et HD. Utile pour les grands panneaux et ensembles qui seraient difficiles à serrer à l'aide d'un gabarit monté sur une table. Les cames intégrées fixent la base portable à votre serre-joint Kreg.
- Y Serre-joint pour projets de menuiserie avec technologie Automaxx® de 76,2 mm**
Offre un serrage rapide et sécuritaire des joints lors de l'assemblage d'un joint percé à angle. Réglez la pression désirée et ce serre-joint à portée de 76,2 mm s'ajustera automatiquement à tous les matériaux d'un maximum de 76,2 mm (3 po) d'épaisseur.

Utilisation du système Kreg Jig® K5 et du système de base K5

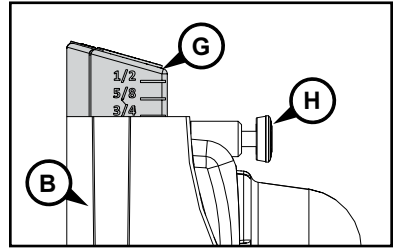
Pour obtenir des joints solides, vous devez régler votre gabarit de manière à ce qu'il corresponde à l'épaisseur de votre pièce et à la longueur de la vis. Le Kreg Jig® permet de le faire facilement; en quatre étapes seulement :



5 Utilisation des systèmes Kreg Jig® K5 et du système de base K5

1 Fixez le guide-foret

Pour un joint solide, la vis devrait sortir près du centre de la pièce travaillée. Pour régler la position du trou en angle, rétractez la goupille d'arrêt (H) du guide-foret à ressort. Ensuite, soulevez ou abaissez le guide-foret (G) jusqu'à ce que la marque se trouvant sur le côté de celui-ci et qui correspond à l'épaisseur de la pièce travaillée soit au même niveau que le dessus du support du guide-foret (B). Relâchez la goupille d'arrêt.



2 Choisissez une vis

Vis à filet normal

En raison de leur grand diamètre et de leur grand pas de filetage, nos vis à filet normal n° 8 offrent une prise solide sur les bois résineux et les matériaux composites.



Ces vis s'utilisent avec les types de bois et de matériaux composites suivants :

- Pin • Cèdre • Tilleul d'Amérique • Peuplier
- Contreplaqué • MDF • Panneaux de particules

Vis à filet fin

En raison de leur diamètre et de leur pas de filetage plus petits, nos vis à filet fin n° 7 réduisent les risques de fendre le matériau. Nous recommandons de les utiliser avec les bois de feuillus.



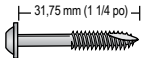
Ces vis s'utilisent avec les types de bois suivants :

- Frêne • Chêne • Érable • Noyer • Hickory
- Cerisier • Acajou • Bouleau

Toutes les vis pour perçage à angle Kreg ont un carré conducteur profond permettant de mieux les guider et de réduire les risques de rejet. La pointe torsadée autotaraudeuse vous évite de percer un avant-trou.

Vos projets KREG nécessitent des vis KREG. Découvrez pourquoi sur le site kregtool.com/kregscscrews

Kreg vous offre une gamme complète de vis pour perçage à angle pour toutes les épaisseurs et tous les types de pièces travaillées. Utilisez le tableau suivant pour choisir la bonne longueur de vis. Toutes les vis pour perçage à angle Kreg sont offertes chez votre détaillant Kreg ou sur le site kregtool.com.



Remarque : La longueur de la vis est calculée du bas de la tête au bout de la vis.

Sélection des vis/Tableau de réglage du Kreg Jig®

Épaisseur de la pièce travaillée	Longueur de la vis*	Réglage du Kreg Jig®
13 mm [½ po]*	25,4 mm [1 po]**	Marque de ½ po
15,87 mm [⅝ po]	25 mm [1 po]	Marque de ⅝ po
19,05 mm [¾ po]	32 mm [1 ¼ po]	Marque de ¾ po
22,22 mm [⅞ po]	38 mm [1 ½ po]	Marque de ⅞ po
25,4 mm [1 po]	38 mm [1 ½ po]	Marque de 1 po
28,57 mm [1 ⅛ po]	38 mm [1 ½ po]	Marque de 1 ⅛ po
31,75 mm [1 ¼ po]	51 mm [2 po]	Marque de 1 ¼ po
34,92 mm [1 ⅝ po]	51 mm [2 po]	Marque de 1 ⅝ po
38,1 mm [1 ½ po]	64 mm [2 ½ po]	Marque de 1 ½ po

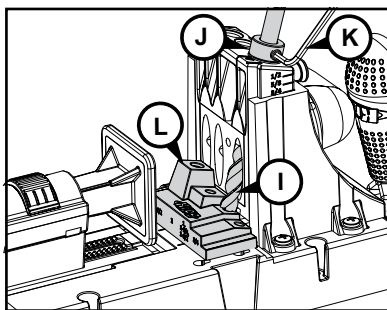
*L'utilisation d'une vis pour perçage à angle à tête cylindrique large est recommandée

**Lors de l'utilisation du guide-foret Micro-Pocket™ en option, des vis de ⅜ po sont recommandées pour les matériaux de 12,7 mm (½ po) d'épaisseur. Consultez le guide d'utilisation de Micro-Pocket

3 Placez le collet de butée

Placez le bloc d'appui du collet de butée (L) à la base du gabarit, en avant du guide-foret. Faites glisser le foret (I) dans un des trous du guide-foret et placez l'embout-guide dans le trou du bloc qui correspond à la longueur de la vis que vous utiliserez. Tout en reposant l'épaulement du foret sur le bloc, faites glisser le collet de butée (J) sur la tête du foret afin que celui-ci repose sur le guide-foret. Serrez la vis de calage du collet de butée à l'aide de la clé hexagonale (K).

Utilisez le tableau ci-dessous comme guide pour positionner le collet de butée du foret lorsque vous utilisez le foret et le guide-foret standard ou les forets et guide-forets offerts en option Micro-Pocket et Kreg Jig® HD. Avant de continuer votre projet, testez le joint à l'aide de retailles de matériau de la même épaisseur que celle de vos pièces à travaillées.



Exemple : matériau de 19,05 mm (3/4 po), visse de 31,75 mm (1 1/4 po)

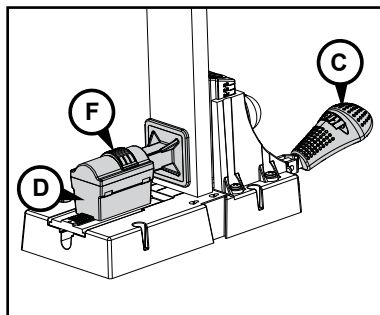
Utilisation du bloc d'appui du collet de butée

Guide-foret et foret	Épaisseur de la pièce travaillée	Longueur de la vis	Réglage du bloc d'appui
Micro*	12,7 mm (1/2 po)	3/4 po**	3/4 po
Micro* et standard	12,7 à 28,57 mm (1/2 à 1 1/8 po)	1 po, 1 1/4 po, 1 1/2 po	1 po, 1 1/4 po, 1 1/2 po
Standard	31,75 à 34,92 mm (1 1/4 à 1 3/8 po)	2 po	2 po
Standard & HD*	38,1 mm (1 1/2 po)	2 1/2 po	2 1/2 po

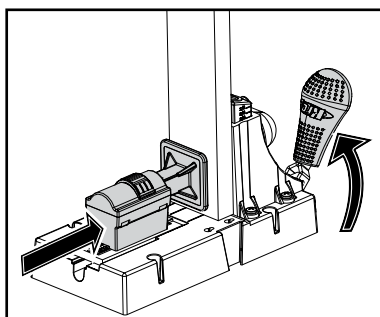
* Accessoires en option **Utilisez une vis pour perçage à angle à tête cylindrique large.

4 Ajustez le serre-joint

Appuyez sur le mécanisme de dégagement à cliquet (F) et faites glisser complètement le serre-joint (D) à l'arrière. Placez la pièce travaillée contre le guide-foret. Placez la poignée articulée (C) complètement vers le bas (position de serrage). Faites glisser le serre-joint vers l'avant jusqu'à ce que le tampon entre en contact avec la pièce travaillée. (Vous entendrez un déclic provenant du mécanisme de réglage.)

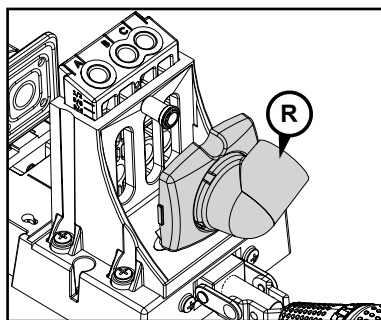


En maintenant le serre-joint contre la pièce travaillée, levez la poignée articulée jusqu'à ce que vous entendiez deux déclics provenant du mécanisme de réglage. Placez la poignée articulée à la position de serrage, puis assurez-vous que la pièce travaillée est fermement maintenue en place. Au besoin, soulevez la poignée articulée un déclic plus haut. Le serre-joint est maintenant placé de façon à ce que le ressort interne exerce suffisamment de pression pour fixer la pièce travaillée lorsque la poignée articulée est complètement vers le bas.



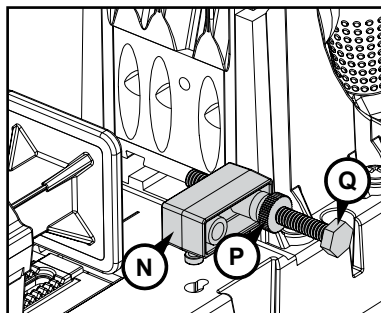
Port pour aspirateur

Ce dispositif qui enlève les copeaux (R) s'enclenche à l'arrière du support du guide-foret. Le port convient à tous les tuyaux d'aspirateur standard de 31,75 mm (1 1/4 po). Il pivote facilement d'un côté à l'autre. En plus d'aider à garder votre aire de travail propre, enlever les copeaux vous permet de percer plus rapidement et de réduire la chaleur, prolongeant ainsi la durée de vie de votre foret.



Butée de pièce

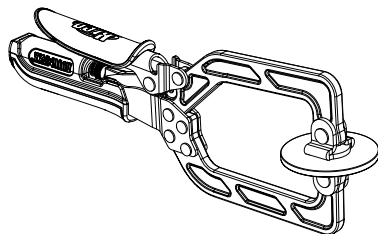
Pour les travaux répétitifs de perçage de trous en angle, la butée de pièce (N) s'insère dans les encoches en trou de serrure de la base. Pour l'installer, faites passer les taquets au bas de la butée de pièce dans la grande extrémité des encoches en trou de serrure, puis faites glisser la butée de pièce vers l'avant du gabarit. Pour percer précisément un trou en angle, insérez un écrou en acier (O) dans une des alvéoles hexagonales de la butée de pièce. Vissez l'écrou moleté (P) sur le boulon en nylon (Q), puis vissez le boulon dans l'écrou du côté opposé de la butée de pièce. L'écrou et le boulon fonctionnent ensemble de manière à offrir un réglage facile, puis les écrous moletés fixent le boulon en place.



Caractéristiques supplémentaires du système de base Kreg Jig® K5

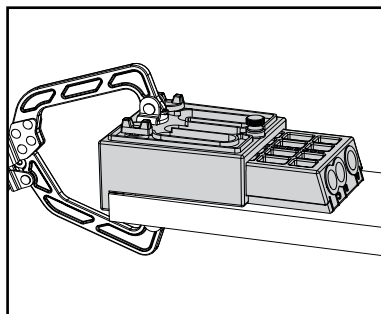
Serre-joint pour projets de menuiserie avec technologie Automaxx® de 76,2 mm

Ces serre-joints d'une portée de 76,2 mm (3 po) s'ajustent automatiquement aux pièces travaillées d'un maximum de 76,2 mm (3 po). Pour que les joints demeurent parfaitement alignés au moment d'enfoncer les vis pour perçage à angle, fixez les pièces travaillées à une surface plane à l'aide d'un serre-joint, puis centrez le tampon du serre-joint sur la ligne du joint. Réglez le serrage afin de vous assurer qu'il y a une pression suffisante pour garder les pièces travaillées de niveau et stables, mais pas trop pour éviter que le serrage et le desserrage soient difficiles.



Base portable

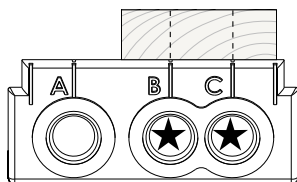
Utilisez cette base pour les grands panneaux et ensembles qui seraient difficiles à serrer à l'aide d'un gabarit monté sur une table. Enlevez le guide-foret du support du guide-foret et faites-le glisser dans la base portable. Alignez la marque se trouvant sur le côté du guide-foret et qui correspond à l'épaisseur de la pièce travaillée au bord supérieur de la base portable. Vissez la goupille d'arrêt. La base convient également aux supports de guide-foret micro et HD. Les cames intégrées fixent la base portable à un serre-joint Kreg.



En plus de bien régler le gabarit Kreg Jig®, il est important d'espacer les trous à angle de manière égale sur la surface de la pièce travaillée pour obtenir des joints solides. Le Kreg Jig® comprend un guide-foret à trois trous qui vous permet de le faire sur différentes largeurs de pièces travaillées sans avoir à les déplacer après avoir percé chaque trou. Utilisez le guide ci-dessous pour déterminer comment positionner la pièce travaillée lorsque vous percez des trous en angle.

Matériaux d'une largeur de

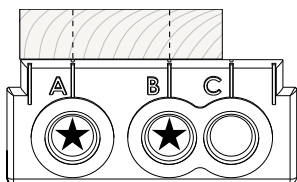
25,4 mm à 50,8 mm (1 po à 2 po)



Utilisez les guides B et C

Matériaux d'une largeur de

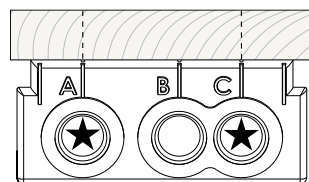
50,8 mm à 76,2 mm (2 po à 3 po)



Utilisez les guides A et B

Matériaux d'une largeur de

76,2 mm à 101,6 mm (3 po à 4 po)



Utilisez les guides A et C

Pour les pièces larges comme les panneaux, nous vous recommandons de percer le premier trou à 50,8 mm (2 po) de l'extrémité du panneau et les autres trous à une distance de 152,4 mm (6 po) à 203,2 mm (8 po) les uns des autres. Lorsque vous faites des trous dans les panneaux, vous pouvez utiliser n'importe quel trou du guide-foret.

Perçage des trous en angle

Avant de mettre en marche la perceuse, faites glisser le foret dans le guide-foret jusqu'à ce que le bout du foret touche la pièce travaillée. Retirez le foret d'environ 6,35 mm (1/4 po). Mettez la perceuse en marche et assurez-vous qu'elle fonctionne à pleine vitesse, puis faites pénétrer le foret dans la pièce travaillée. Si vous utilisez une perceuse à vitesse variable ou à plusieurs vitesses, faites-la toujours fonctionner à pleine vitesse. Un aspirateur d'atelier branché sur le port pour aspirateur permet de retirer les copeaux de bois et vous pouvez ainsi percer un trou d'un seul mouvement. Si vous n'utilisez pas un aspirateur d'atelier, retirez le port pour aspirateur. Lorsque vous percez un trou en angle, enlevez partiellement le foret plusieurs fois pendant que vous effectuez la tâche afin d'enlever les copeaux. Cessez de percer lorsque le collet de butée entre en contact avec le guide-foret. Attendez que la perceuse cesse de tourner avant d'enlever le foret du guide-foret.

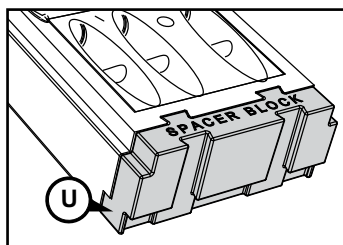
Assemblage des pièces

Une fois que les trous à angle sont percés, placez et serrez vos pièces. Les petits assemblages peuvent être alignés en les fixant à une surface plane à l'aide d'un serre-joint. Si vous utilisez des serre-joints Kreg pour fixer de grands assemblages au bord de votre surface de travail, positionnez le grand tampon du serre-joint sur le côté du joint opposé aux trous pour perçage à angle. Alignez les coins d'assemblages cubiques, comme une armoire ou une bibliothèque, à l'aide d'un serre-joint à coulisse ou d'un serre-joint à angle droit Kreg. (Voir les **accessoires en option**.)

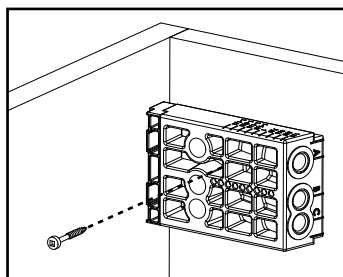
Une fois l'assemblage solidement fixé, enfoncez les vis pour perçage à angle à l'aide d'une perceuse-visseuse à vitesse variable et du foret de 152,4 mm (6 po) inclus. Si vous utilisez une perceuse dotée d'un mécanisme à embrayage, ajustez-la de manière à insérer les vis entièrement sans trop les enfoncer.

Lorsque vous effectuez des réparations, vous pouvez enlever le guide-foret du support du guide-foret et le fixer directement à la pièce travaillée.

Pour les matériaux d'une épaisseur de 12,7 mm (1/2 po), alignez le bas du guide-foret au bord de la pièce à percer ou à son extrémité. Pour les pièces plus épaisses, fixez un ou plusieurs blocs-espaces (U) au guide-foret. Chaque bloc-espaceur augmente l'épaisseur des pièces que vous pouvez utiliser de 6,35 mm (1/4 po). Par exemple, pour un matériau d'une épaisseur de 19,05 mm (3/4 po), vous devez utiliser un bloc-espaceur, pour un matériau de 25,4 mm (1 po), vous aurez besoin de deux et pour un matériau de 31,75 mm (1 1/4 po), vous aurez besoin de trois. Un bloc-espaceur est inclus avec votre Kreg Jig®. Des blocs-espaces supplémentaires sont offerts.

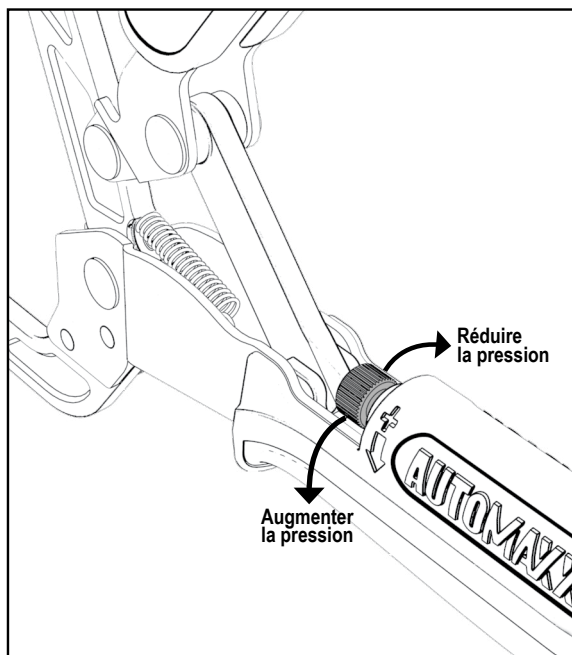


Lorsque vous utilisez seulement le guide-foret pendant que vous effectuez des réparations, n'oubliez pas de régler le collet de butée, puis de vous assurer que le guide-foret est bien fixé sur la pièce travaillée au moyen d'un serre-joint. Dans certains cas, lorsque l'utilisation d'un serre-joint est impossible, vous pouvez aussi visser le guide-foret directement sur la pièce travaillée, tel qu'il est illustré.

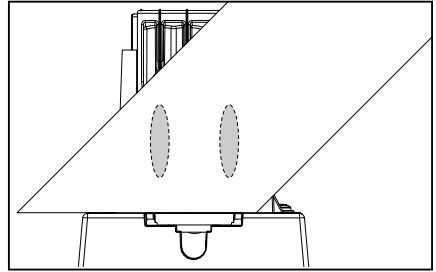


Réglage de la pression du serre-joint

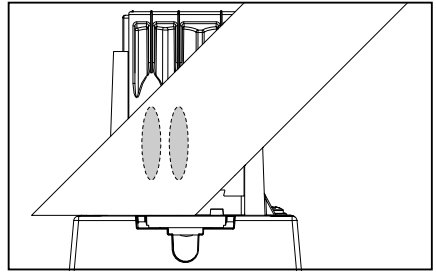
Pour augmenter la pression du serre-joint, tournez la vis à tête moletée vers la gauche (lorsque vu de l'extrémité de la poignée du serre-joint) ou vers la droite pour la réduire.



Pour les planches d'une épaisseur d'au moins 76,2 mm (3 po), les trous en angle percés avec le guide A et le guide C s'ajustent tous les deux entièrement à la surface de la planche. Dans cette situation, fixez simplement la pièce travaillée à onglet au gabarit, serrez-la pour la maintenir en place, puis percez.

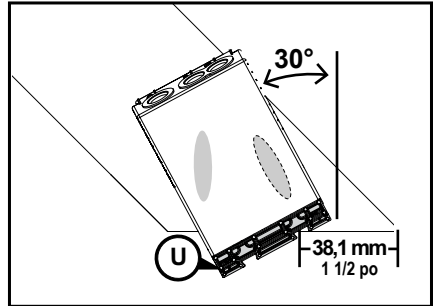


Pour les planches d'une épaisseur d'au moins 60,32 mm (2 3/8 po), les trous en angle percés avec le guide B et le guide C s'ajustent tous les deux entièrement à la surface de la planche. Dans cette situation, fixez simplement la pièce travaillée à onglet au gabarit, serrez-la pour la maintenir en place, puis percez.

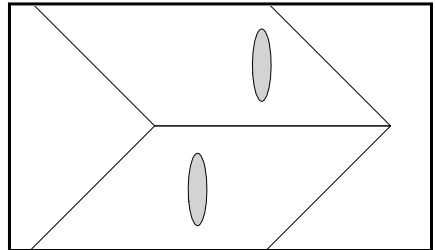


Coins à onglet

Pour fixer une vis pour perçage à angle près de la « pointe » de l'onglet sur une pièce travaillée large ou pour fixer une seconde vis pour perçage à angle sur une pièce travaillée étroite, tout en gardant le trou complet sur la surface de la pièce, percez le trou en angle le plus près possible de la pointe de l'onglet à l'aide du guide-foret du support du guide-foret. Retirez le guide du support. Pour les pièces d'une épaisseur de 19,05 mm (3/4 po), fixez un bloc-espaceur (U) au guide-foret. Positionnez le guide-foret avec l'extrémité du bloc-espaceur à 38,1 mm (1 1/2 po) de la pointe de l'onglet, puis placez le guide-foret loin de la pointe à un angle de 30°. Serrez le guide-foret en place et percez le trou en angle.

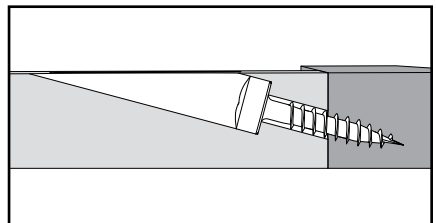


Vous pouvez aussi percer un trou en angle de chaque côté d'un joint à onglet au lieu de percer les deux trous du même côté.



Assemblage des matériaux d'une épaisseur de 12,7 mm (1/2 po)

Lors de l'utilisation du guide-foret et du foret offerts en option Micro-Pocket sur des matériaux de 12,7 mm (1/2 po) d'épaisseur, assemblez les pièces à l'aide des vis SPS-F075 de Kreg. La tête de petit diamètre de ces vis à tête cylindrique large de 19,05 mm (3/4 po) s'enfonce sous la surface de la pièce travaillée, ce qui permet l'utilisation d'un bouchon pour trous en angle Micro.



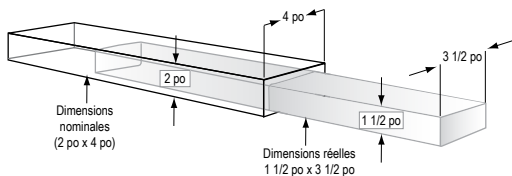
Dimensions standard des planches

Dimensions nominales	Dimensions réelles
1x2	3/4 po x 1 1/2 po
1x3	3/4 po x 2 1/2 po
1x4	3/4 po x 3 1/2 po
1x6	3/4 po x 5 1/2 po
1x8	3/4 po x 7 1/4 po
2x2	1 1/2 po x 1 1/2 po
2x4	1 1/2 po x 3 1/2 po
2x6	1 1/2 po x 5 1/2 po
2x8	1 1/2 po x 7 1/4 po
4x4	3 1/2 po x 3 1/2 po
6x6	5 1/2 po x 5 1/2 po

Dimensions nominales et dimensions réelles

Dans les parcs à bois débités ou dans les centres de rénovation, vous pouvez voir des étiquettes sur le bois d'œuvre indiquant des dimensions comme 1x6 ou 2x4. Ces dimensions « nominales » ont déjà servi à indiquer les dimensions du bois d'œuvre coupé grossièrement, avant qu'il ne soit usiné pour être fini ou pour obtenir sa dimension réelle. Les dimensions réelles sont toujours plus petites que les dimensions nominales.

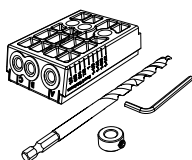
Les marques pour mesurer l'épaisseur de la planche sur votre Kreg Jig® sont celles de l'épaisseur réelle de la planche. Par exemple, une planche 1x4 a en fait une épaisseur de 3/4 po. Vous devez alors régler votre gabarit à la marque 3/4



6 conseils pour éviter le risque de fendillement

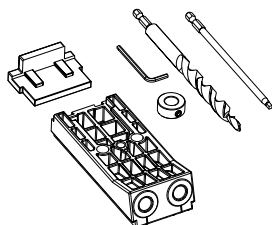
- 1 Effectuez des tests**
 Testez le joint à l'aide de retailles du même matériau que celui de votre pièce à travaillée.
- 2 Assurez-vous d'utiliser des vis Kreg**
 Les vis Kreg sont munies de bouts pointus et autotaraudeurs qui fendent les fibres du bois.
- 3 Utilisez le bon type de vis**
 Utilisez des vis à filet fin pour le bois franc. Ces vis n° 7 déplacent moins de bois que les vis à filet normal n° 8 utilisées pour les bois résineux, le contreplaqué, le MDF et les panneaux de particules.
- 4 Vissez progressivement**
 Insérez la vis à moitié et retirez-la pour enlever l'excédent de fibres de bois du trou, puis insérez-y complètement la vis.
- 5 Faites en sorte de diminuer la friction**
 Appliquez de la cire d'abeille ou tout autre lubrifiant sur la vis pour diminuer la friction au moment de l'insérer dans la pièce travaillée.
- 6 Serrez correctement**
 Centrez le tampon du serre-joint sur la ligne de joint afin d'appliquer une pression égale aux deux pièces à travailler et de les empêcher de bouger. Une pression ferme force les vis à trancher les fibres du bois au lieu de les fissurer.

Offerts par votre détaillant Kreg ou en ligne sur le site kregtool.com.



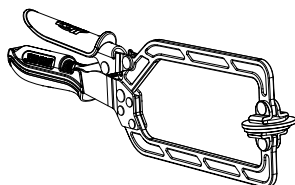
Micro Pocket™ Drill Guide

Le guide-foret Micro Pocket™ vous permet de percer des trous en angle 25 % plus petits que nos trous en angle standard. Vous pouvez ainsi créer de petits trous en angle pour les petits projets, les pièces minces et les réparations dans des endroits difficiles d'accès.



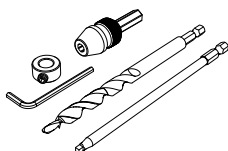
Kreg Jig® HD

Conçu pour être utilisé avec des matériaux de charpente de 38,1 mm (1 1/2 po) d'épaisseur ou plus, ce système robuste comprend des vis pour perçage à angle n° 14 de 63,5 mm (2 1/2 po).



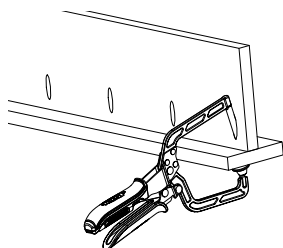
6" Wood Project Clamp with Automaxx®

Régulez la pression désirée et ces serre-joints à portée de 152,4 (6 po) s'ajusteront automatiquement à tous les matériaux d'un maximum de 127 mm (5 po) d'épaisseur.



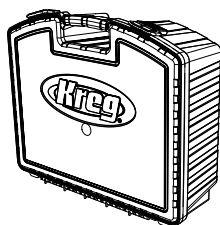
Quick Change Kit

Passez du perçage de trous en angle au vissage de vis pour perçage à angle en quelques secondes. Le mandrin à changement rapide s'installe dans n'importe quel mandrin de perceuse à trois mâchoires pour accueillir des tiges hexagonales standard de 6,35 mm (1/4 po).



Right-Angle Clamp with Automaxx®

Insérez la goupille de mâchoire en acier de ce serre-joint dans un trou en angle pour fixer les pièces à un angle de 90°. Insérez ensuite une vis dans un trou en angle adjacent.



Kreg System Organizer

Rangez l'ensemble de votre atelier de perçage à angle dans ce coffre compact. Peut contenir des gabarits de perçage en angle K3, K4 ou K5, des serre-joints Kreg, des guide-forets micro, HD et taille-bouchons ainsi qu'un assortiment de vis pour perçage à angle.

Lea este manual y estas pautas de seguridad. Conozca las aplicaciones y las limitaciones de la herramienta, además de sus peligros específicos. La operación de la herramienta antes de comprender su utilización segura y adecuada puede causar lesiones personales. **GUARDE ESTE MANUAL.**

- Siempre utilice equipos de protección para los oídos, la respiración y la vista diseñados y certificados específicamente como equipos de seguridad.
- La broca para taladro es filosa. Manipúlela con cuidado.
- Evite las posiciones de manos incómodas donde un resbalón repentino podría provocar el contacto con la broca giratoria.
- Asegure adecuadamente la pieza de trabajo antes de taladrar. Cuando utilice la guía del taladro independientemente de la base de la plantilla, no trate de mantener la guía del taladro en su lugar con la mano. Siempre utilice una abrazadera.
- Siga las pautas de seguridad del fabricante del taladro.
- No opere esta herramienta o cualquier maquinaria bajo los efectos de drogas, alcohol o medicamentos.
- No permita que la familiaridad obtenida por el uso frecuente de las herramientas reemplace las prácticas de trabajo seguro. Un momento de descuido es suficiente para causar lesiones graves.

⚠ Advertencia: este producto puede exponerlo a sustancias químicas, incluidas el acrilonitrilo y otros químicos, reconocidas por el estado de California como causantes de cáncer o daños en el aparato reproductivo. Para obtener más información, visite www.P65Warnings.ca.gov.

⚠ Advertencia: Los productos para taladrar, aserrar, lijar o cortar madera pueden exponerlo al polvo de madera, una sustancia reconocida por el estado de California como causante de cáncer. Evite inhalar el polvo de la madera o utilice una mascarilla antipolvo u otros artículos de protección personal. Para obtener más información, visite www.P65Warnings.ca.gov.

Introducción

Ser el propietario de un Kreg Jig® le abre un mundo nuevo lleno de posibilidades para sus proyectos. Este manual muestra cómo regular las cavidades ocultas de la plantilla y el taladro. Es posible que los siguientes recursos le sean útiles:

Kreg Tool en línea

kregtool.com. Encuéntrelo todo aquí: información sobre el producto, videos, consejos, planes de proyectos y más.

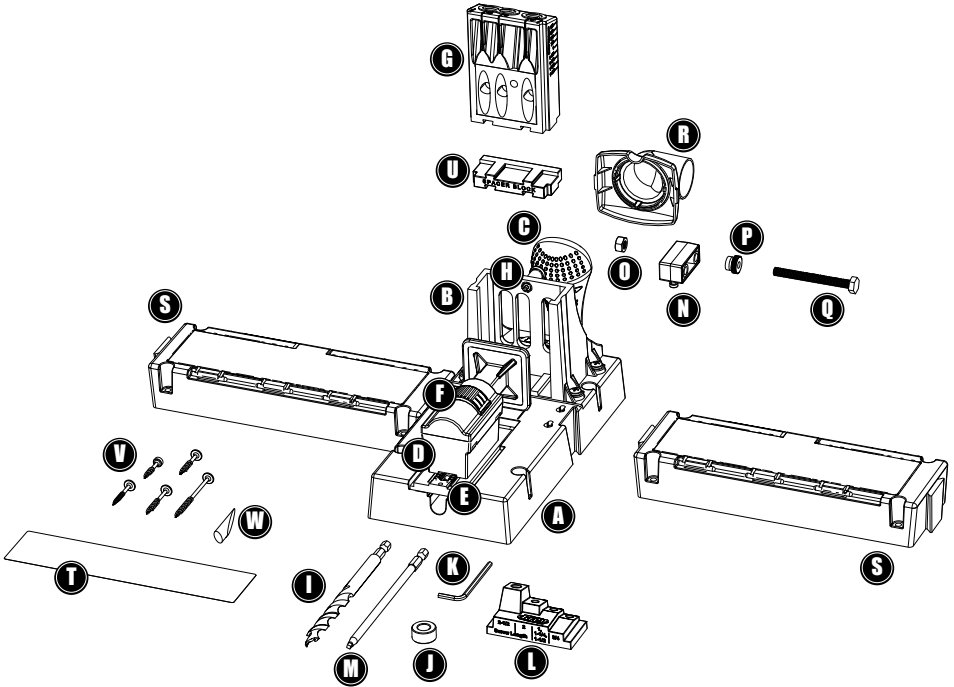
Comunidad de propietarios de Kreg

kregjig.ning.com. Únase a miles de propietarios Kreg entusiastas que intercambian consejos y sugerencias, comparten sus proyectos y más.

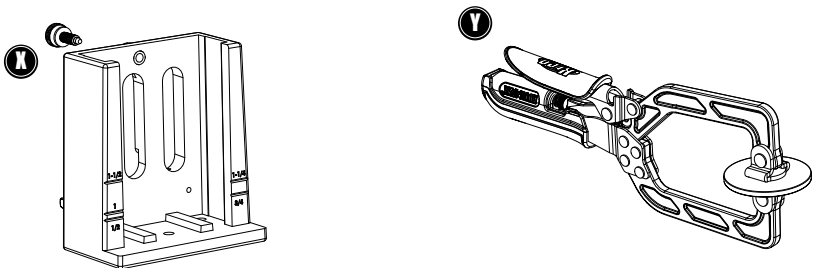
Boletines Kreg: regístrese en kregtool.com para recibir por correo electrónico nuestro boletín gratuito.

- **Kreg Plus:** su recurso para trabajar la madera de manera práctica, trucos y consejos sobre las actividades que puede hacer usted mismo, ideas para proyectos y mucho más.
- **Noticias Kreg Tool:** manténgase actualizado sobre las últimas herramientas Kreg y conozca las ofertas especiales.
- **Noticias de la Comunidad Kreg:** aprenda acerca de los proyectos que se construyen en la Comunidad de propietarios de Kreg, y obtenga planes gratuitos.

El Kreg Jig® K5 o el Sistema maestro K5 vienen casi listos para usar después de sacarlos de la caja. Aplique la etiqueta de guía de selección del largo de los tornillos en el interior de una tapa de extensión. Coloque la plantilla en el banco de trabajo y ajuste las llaves con cola de milano de las extensiones en las ranuras con cola de milano de la base. La plantilla y las extensiones cuentan con orificios para montaje en tabla.



Piezas adicionales del sistema maestro



Piezas del K5 y del Sistema maestro K5

- A Base**
Cuenta con cuatro orificios para asegurar la plantilla en un banco de trabajo o base auxiliar.
- B Dado de la guía del taladro**
Acepta todas las guías de taladro Kreg: Micro, Estándar (incluida) y HD.
- C Palanca**
Opera el mecanismo de sujeción de la pieza de trabajo.
- D Ensamble de la abrazadera**
Un potente resorte interno ejerce presión de sujeción.
- E Placa del trinquete**
Proporciona el ajuste del ensamble de la abrazadera.
- F Liberación del trinquete**
Desconecta el ensamble de la abrazadera de la placa del trinquete.
- G Guía de taladro estándar**
Cuenta con marcas de ubicación de la guía para los diferentes tipos de grosor de las piezas de trabajo.
- H Pasador de fijación**
Un pasador activado por resorte fija la guía del taladro en el dado de la guía del taladro con el ajuste seleccionado.
- I Broca escalonada**
Perfora un orificio guía y un orificio de distancia simultáneamente, formando un reborde de rodamiento para la cabeza del tornillo.
- J Anillo de detención**
Controla la profundidad de taladrado.
- K Llave hexagonal**
Para el tornillo de fijación del anillo de detención.
- L Bloque de ajuste para el anillo de detención**
Garantiza la posición adecuada del anillo de detención de la broca para taladro.
- M Punta de destornillador**
Punta de destornillador cuadrada #2 de 6" (152 mm) de largo.
- N Tope de la pieza de trabajo**
El tope se encaja en las ranuras con forma de cerradura de la base.
- O Tuerca de ajuste preciso para el tope de la pieza de trabajo**
La tuerca de ¼-20 se encaja en la ranura hexagonal del tope de la pieza de trabajo.
- P Tuerca moleteada**
La tuerca moleteada de nailon funciona como una contratuerca para fijar la posición del tornillo de ajuste preciso.

Piezas del K5 y del Sistema maestro K5

- Q Tornillo de ajuste preciso**
El perno de nailon de $\frac{1}{4}$ -20 x 2 $\frac{1}{2}$ " (64 mm) se enrosca en la tuerca para brindar un ajuste preciso antideslizante.
- R Puerto de aspiración**
Admite una manguera de aspiradora industrial de $1\frac{1}{4}$ " (32 mm) que gira de lado a lado para una eliminación eficaz de las astillas.
- S Alerones de extensión**
Proporcionan soporte para piezas de trabajo anchas y almacenamiento para brocas y accesorios.
- T Guía de selección del largo de los tornillos**
Aplique esta etiqueta autoadhesiva en el interior de una tapa de extensión para una referencia fácil.
- U Bloque separador**
En reparaciones, ubica la guía del taladro para taladrar las cavidades ocultas en material grueso de $\frac{3}{4}$ " (19 mm).
- V Paquete de muestra de tornillos ocultos**
Cada uno contiene 10 de los cinco tornillos que se utilizan con más frecuencia.
- W Paquete de muestra de tapones para cavidades ocultas**
Contiene cinco tapones de madera para pintura.

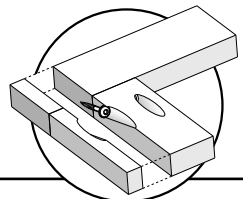
Piezas adicionales del Sistema maestro

El Sistema maestro K5 incluye las siguientes piezas:

- X Base portátil**
Se adapta a los bloques para guías Micro, Estándar y HD. Es útil para paneles o ensamblajes grandes que serían difíciles de fijar con abrazadera en un plantilla montada en banco. Las levas integradas aseguran la base portátil en la abrazadera de Kreg.
- Y Abrazadera de 3 pulg. para proyectos de madera con Automaxx®**
Proporciona una sujeción rápida y segura al montar una junta con tornillo para cavidades ocultas. Ajuste la presión deseada y esta abrazadera de 76 mm de alcance se ajustará automáticamente a cualquier grosor del material hasta 76 mm (3 pulg.)

Uso del Kreg Jig® K5 y el Sistema maestro K5

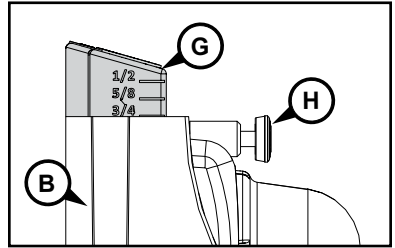
Para crear uniones fuertes, debe configurar la plantilla para taladrar de manera que coincida con el grosor de la pieza de trabajo y el largo del tornillo. El Kreg Jig® hace que esto sea fácil en cuatro pasos sencillos:



5 Uso del Kreg Jig® K5 y el Sistema maestro K5

1 Ajuste la guía del taladro

Para una unión fuerte, el tornillo debe salir cerca del centro de la pieza de trabajo. Para ajustar la posición de la cavidad oculta, retraiga el pasador de fijación accionado por resorte de la guía del taladro (H). Luego, levante o baje la guía del taladro (G) hasta que la marca en el lado de la guía que coincide con el grosor de la pieza de trabajo quede pareja con la parte superior del dado de la guía (B). Suelte el pasador de fijación.



2 Elija un tornillo

Rosca gruesa

Debido al gran diámetro y al paso de rosca, nuestros tornillos de rosca gruesa #8 ofrecen un fuerte agarre en materiales compuestos y de madera suave.



Utilice en maderas y compuestos como:

- Pino • Cedro • Tilo americano • Álamo
- Madera contrachapada • Fibra de densidad media (MDF, por sus siglas en inglés)
- Panel de aglomerado

Rosca fina

Debido a que el diámetro más pequeño y el paso de rosca de nuestros tornillos de rosca fina #7 reducen la posibilidad de partir el material, los recomendamos para maderas duras.



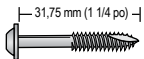
Utilice en maderas como:

- Fresno • Roble • Arce • Nogal
- Nogal americano • Cerezo • Caoba
- Abedul

Todos los tornillos para cavidades ocultas de Kreg presentan una cabeza con ranura cuadrada profunda que mejora el agarre y reduce la posibilidad de deslizamiento hacia afuera. La punta de barrena de los tornillos autorroscantes elimina la necesidad de taladrar un orificio guía.

Sus proyectos KREG exigen tornillos KREG. Conozca la razón en kregtool.com/tornilloskreg

Kreg ofrece una línea completa de tornillos para cavidades ocultas para cada tipo y grosor de pieza de trabajo. Utilice este gráfico para seleccionar el largo correcto de los tornillos. Todos los tornillos para cavidad oculta de Kreg están disponibles en su concesionario Kreg o en línea en kregtool.com.



Nota: El largo del tornillo se mide desde la parte inferior de la cabeza hasta la punta del tornillo.

Gráfico de selección de tornillos y ajustes de Kreg Jig®

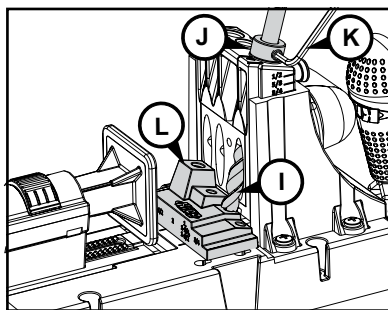
Grosor del material	Largo del tornillo*	Ajuste de Kreg Jig®
1/2" [13 mm]*	1" [25 mm]**	Marca de 1/2"
5/8" [16 mm]	1" [25 mm]	Marca de 5/8"
3/4" [19 mm]	1 1/4" [32 mm]	Marca de 3/4"
7/8" [22 mm]	1 1/2" [38 mm]	Marca de 7/8"
1" [25 mm]	1 1/2" [38 mm]	Marca de 1"
1 1/8" [29 mm]	1 1/2" [38 mm]	Marca de 1 1/8"
1 1/4" [32 mm]	2" [51 mm]	Marca de 1 1/4"
1 3/8" [35 mm]	2" [51 mm]	Marca de 1 3/8"
1 1/2" [38 mm]	2 1/2" [64 mm]	Marca de 1 1/2"

*Se recomienda usar un tornillo para cavidades ocultas de cabeza plana

**Cuando utilice la Guía de taladro Micro Pocket™ opcional, se recomienda utilizar tornillos de 3/4 pulg. para material de 1/2 pulg. Consulte el Micro Manual del propietario

3 Ubicación del anillo de detención

Coloque el bloque de ajuste del anillo de detención (L) en la base de la plantilla frente a la guía del taladro. Deslice la broca escalonada (I) hacia uno de los conectores de la guía del taladro y coloque la punta guía en el orificio del bloque que corresponde al largo del tornillo que usará. Con la broca escalonada apoyada en el bloque, deslice el anillo de detención (J) hacia el extremo con empalme de la broca, de forma que se apoye en la guía del taladro. Ajuste el tornillo de fijación del anillo de detención con la llave hexagonal (K).



Ejemplo: Tabla de 3/4" (19 mm), tornillo de 1/4" (32 mm)

Utilice la tabla a continuación como guía para colocar el anillo de detención de la broca para taladro al utilizar la guía y broca de taladro estándar así como la guía y broca de taladro Micro Pocket opcional, y la guía y broca de taladro Kreg Jig® HD. Siempre realice una junta de prueba con material del mismo grosor que sus piezas terminadas antes de continuar con su proyecto.

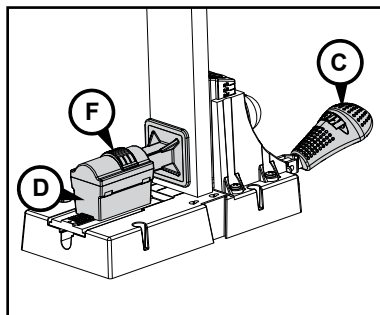
Uso del bloque de ajuste para el anillo de detención

Guía y broca de taladro	Grosor del material	Largo del tornillo	Escalón del bloque de ajuste
Micro*	1/2" (13mm)	3/4"***	3/4"
Micro* y estándar	1/2" - 1 1/8" (13mm-29mm)	1", 1 1/4", 1 1/2"	1", 1 1/4", 1 1/2"
Estándar	1 1/4" - 1 3/8" (32mm-35mm)	2"	2"
Estándar & HD*	1 1/2" (38mm)	2 1/2"	2 1/2"

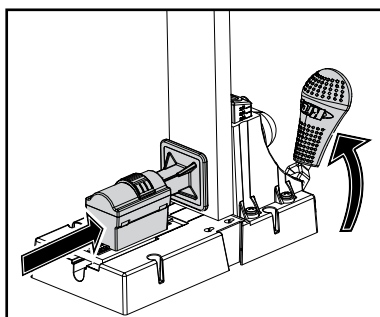
*Accesorios opcionales **Utilice un tornillo para cavidades ocultas de cabeza plana.

4 Ajuste del ensamble de la abrazadera

Presione hacia abajo la liberación del trinquete (F) y deslice el ensamble de la abrazadera (D) completamente hacia atrás. Ubique la pieza de trabajo contra la guía del taladro. Mueva la palanca (C) a la posición completamente hacia abajo (sujeta). Deslice el ensamble de la abrazadera hacia delante hasta que la almohadilla entre en contacto con la pieza de trabajo. (Escuchará un "clik" del mecanismo de ajuste).

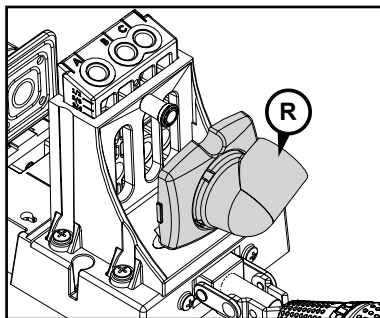


Sostenga el ensamble de la abrazadera contra la pieza de trabajo, levante la palanca hasta que escuche el "clik" del mecanismo de ajuste dos veces. Mueva la palanca a la posición de sujeción y verifique que la pieza de trabajo está sujeta de forma segura en su lugar. De ser necesario, levante la palanca hasta escuchar un "clik" más. El ensamble de la abrazadera ahora está ubicado de forma que el resorte interno aplica suficiente presión para asegurar la pieza de trabajo cuando la palanca está en la posición completamente hacia abajo.



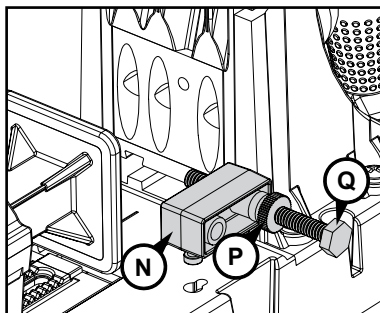
Puerto de aspiración

Este accesorio para la recolección de astillas (R) se encaja en la parte posterior del dado de la guía de taladro. El puerto admite cualquier manguera de aspiradora estándar de 1/4" (32 mm) y gira prácticamente de lado a lado. Además de ayudar a mantener su área de trabajo limpia, la eliminación eficiente de astillas acelera el tiempo de taladrado y reduce la generación de calor, lo que extiende la vida útil de su broca para taladro.



Tope de la pieza de trabajo

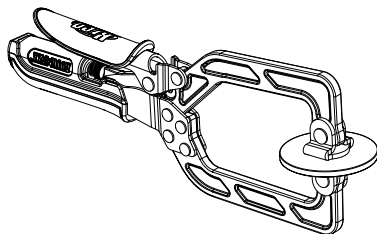
Para operaciones repetitivas de taladrado de cavidades ocultas, el tope (N) se encaja en las ranuras con forma de cerradura de la base. Para instalarlo, coloque las espigas de la parte inferior del tope en el extremo más grande de las ranuras con forma de cerradura y deslice el tope hacia la parte frontal de la plantilla. Para colocar la cavidad oculta de manera precisa, presione la tuerca de acero (O) en una de las ranuras hexagonales del tope. Enrosque la tuerca moleteada (P) en el perno de nailon (Q) y enrosque el perno en la tuerca del lado opuesto del tope. La tuerca y el perno funcionan en conjunto para proporcionar un ajuste fácil y la tuerca moleteada fija el perno en la posición.



Características adicionales del sistema maestro K5 Kreg Jig®

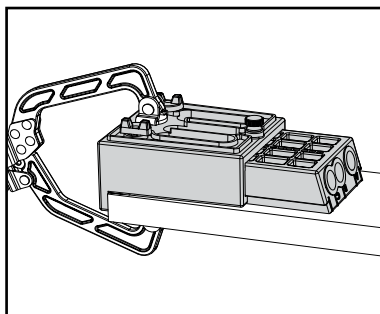
Abrazadera de 3 pulg. para proyectos de madera con Automaxx®

Estas abrazaderas de 76 mm (3 pulg.) de alcance se ajustarán automáticamente a cualquier grosor del material hasta 76 mm (3 pulg.). Para mantener las uniones perfectamente alineadas al atornillar los tornillos para cavidad oculta, sujete las piezas de trabajo a una superficie plana, centrando la almohadilla de la abrazadera sobre la línea de junta. Regule la abrazadera para aplicar suficiente presión para mantener las piezas de trabajo al ras y estables, pero no tan firmes de modo que dificulten la fijación con la abrazadera y su liberación.



Base portátil

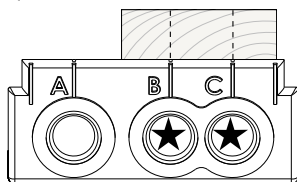
Utilice esta base para paneles o ensamblajes grandes que serían difíciles de fijar con abrazadera en una plantilla montada en banco. Retire la guía de taladro del dado de la guía de taladro y deslícelo hacia la base portátil. Alinee la marca en el lado de la guía del taladro que hace coincidir el grosor de la pieza de trabajo con el borde superior de la base portátil. Atornille el pasador de fijación. La base también se adapta a los bloques para guías de taladro Micro y HD. Las levas integradas aseguran la base portátil a una abrazadera face clamp de Kreg.



Además de los ajustes adecuados de Kreg Jig®, es importante ubicar las cavidades ocultas de manera uniforme a lo largo de la pieza de trabajo para lograr una unión fuerte. El Kreg Jig® cuenta con una guía de taladro de tres orificios que le permite hacer esto en una variedad de anchos de piezas de trabajo sin la necesidad de cambiar de posición la pieza de trabajo después de taladrar cada orificio. Utilice la guía de continuación para determinar cómo fijar la pieza de trabajo para taladrar cavidades ocultas.

Material de 1" a 2" de ancho

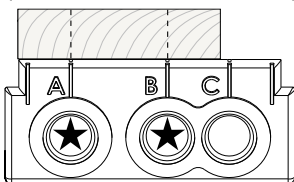
(material de 25 mm a 51 mm de ancho)



Usar las guías B y C

Material de 2" a 3" de ancho

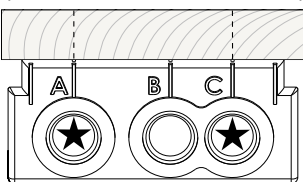
(material de 51 mm a 76 mm de ancho)



Usar las guías A y B

Material de 3" a 4" de ancho

(material de 76 mm a 102 mm de ancho)



Usar las guías A y C

Para piezas anchas como los paneles, recomendamos colocar la primera cavidad oculta a 2" (51 mm) del borde del panel y en intervalos de 6" (152 mm) a 8" (203 mm) después de eso. Cuando se perforan paneles, puede utilizar cualquier orificio de la guía de taladro.

Taladrado de cavidades ocultas

Antes de usar el taladro, deslice la broca en la guía de taladro hasta que la punta de la broca toque la pieza de trabajo. Retire la broca alrededor de $\frac{1}{4}$ " (6 mm). Encienda el taladro, asegúrese de que esté funcionando a máxima velocidad y acerque la broca a la pieza de trabajo. Siempre utilice taladros de velocidad variable o con varias velocidades en su potencia más rápida. Una aspiradora industrial conectada al puerto de aspiración elimina rápidamente las astillas de madera y el orificio se puede taladrar en un solo movimiento. Cuando no utilice una aspiradora industrial, quite el puerto de aspiración y mientras taladra la cavidad oculta, retire parcialmente la broca varias veces para quitar las astillas. Deje de taladrar cuando el anillo de detención haga contacto con la guía de taladro. Espere hasta que el taladro deje de girar para retirar la broca de la guía de taladro.

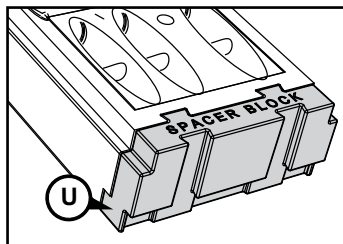
Unión de piezas

Una vez taladradas las cavidades ocultas, ubique y sujete las piezas. Los ensamblajes pequeños y planos se pueden alinear al sujetarlos a una superficie plana. Cuando se utiliza una abrazadera face clamp de Kreg para sujetar grandes ensamblajes planos por fuera del borde de la superficie de trabajo, coloque la almohadilla de la abrazadera grande en el lado de la unión opuesto a las cavidades ocultas. Alinee las esquinas de los ensamblajes de los mobiliarios, como un armario o estantería, utilizando abrazaderas de barra o una abrazadera de ángulo recto de Kreg. (Consulte los **Accesorios opcionales**).

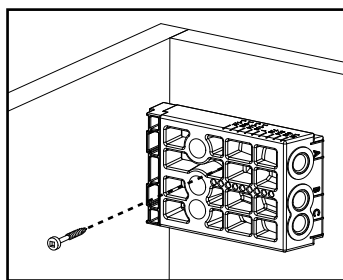
Una vez que el ensamblaje esté firmemente sujeto, atornille los tornillos para cavidades ocultas utilizando un taladro/destornillador de velocidad variable y el destornillador incluido de 6" (152 mm). Para los taladros con agarre, regúlelo para insertar los tornillos completamente sin introducirlos más de lo necesario.

Para hacer reparaciones, puede retirar la guía de taladro del dado de la guía de taladro y fijarla directamente en la pieza de trabajo.

Para material con un grosor de $\frac{1}{2}$ " (13 mm), alinee la parte inferior de la guía de taladro con el borde o el extremo de la parte que va a taladrar. Para materiales más gruesos, coloque uno o más bloques separadores (U) en la guía de taladro. Cada bloque separador agrega $\frac{1}{4}$ " (6 mm) adicionales al grosor del material. Por ejemplo, un material con un grosor de $\frac{3}{4}$ " (19 mm) requiere un bloque separador, un material con un grosor de 1" (25 mm) requiere dos bloques separadores y un material con un grosor de $1\frac{1}{4}$ " (32 mm) requiere tres bloques. Se incluye un bloque separador con su Kreg Jig®. Hay bloques adicionales disponibles.

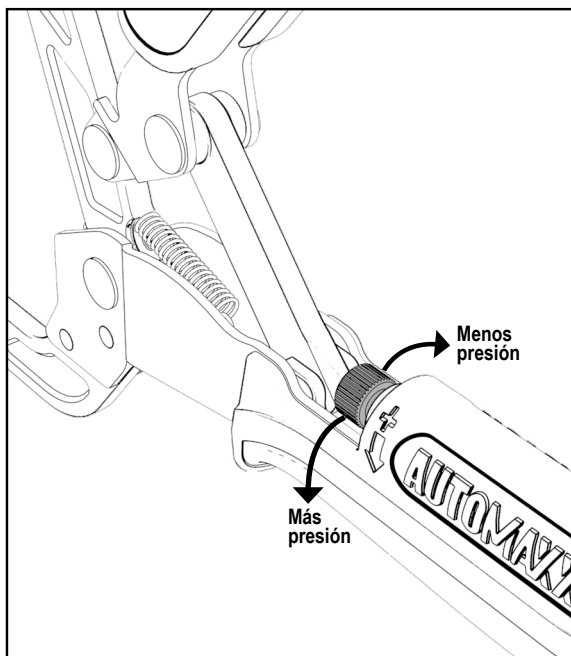


Cuando utilice la guía de taladro por separado en las reparaciones, recuerde ajustar el anillo de detención y asegurar firmemente la guía de taladro en la pieza de trabajo con una abrazadera de barra, una abrazadera en C o una abrazadera face clamp de Kreg. En determinadas situaciones, cuando no puede utilizarse una abrazadera, puede atornillar la guía de taladro directamente a la pieza de trabajo, como se muestra.



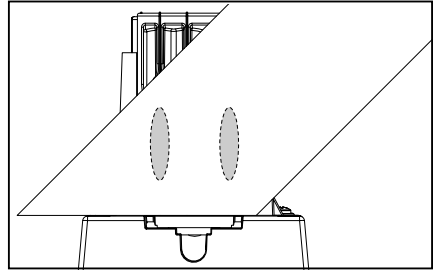
Ajuste de la presión de la abrazadera

Para aumentar la presión de la abrazadera, gire el tornillo de cabezal moleteado hacia la izquierda (visto desde el extremo de la manija de la abrazadera) para disminuir la presión, gire el tornillo a la derecha.

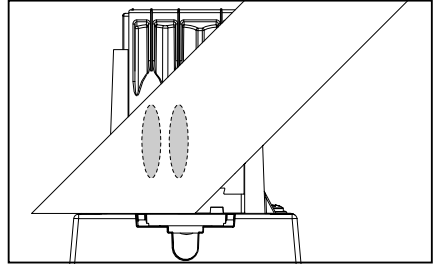


Esquinas con inglete

Para tablas que tienen al menos 3" (76 mm) de ancho, las cavidades ocultas taladradas con las guías "A" y "C" encajan completamente en la parte frontal de la tabla. En esta situación, simplemente ubique la pieza de trabajo con inglete en la plantilla, utilice la abrazadera para fijarla en el lugar y taladre.

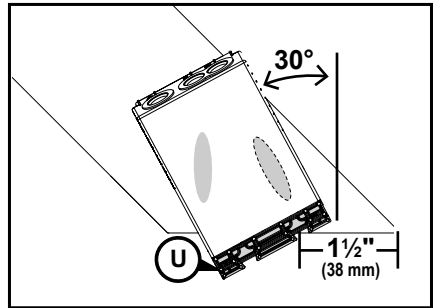


Para tablas que tienen al menos 2 $\frac{3}{8}$ " (60 mm) de ancho, las cavidades ocultas taladradas con las guías "B" y "C" encajan completamente en la parte frontal de la tabla. En esta situación, simplemente ubique la pieza de trabajo con inglete en la plantilla, utilice la abrazadera para fijarla en el lugar y taladre.

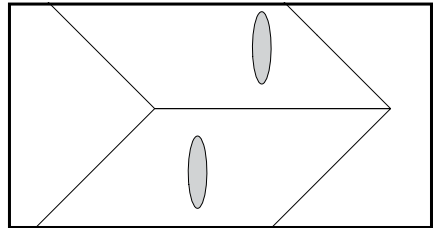


Esquinas con inglete

Para colocar un tornillo de cavidad oculta junto al "pie" del inglete en una pieza de trabajo amplia o para colocar un segundo tornillo de cavidad oculta en una pieza de trabajo delgada y aún tener el orificio completamente en la parte frontal de la pieza, taladre el orificio de cavidad oculta lo más cercano al talón del inglete con la guía de taladro en el dado de la guía de taladro. Retire la guía del dado. Para materiales con un grosor de $\frac{3}{4}$ " (19 mm), coloque un bloque separador (U) en la guía de taladro. Coloque la guía de taladro con el extremo del bloque separador a 1 $\frac{1}{2}$ " (38 mm) del pie del inglete y luego coloque la guía de taladro en ángulo de 30 grados lejos del pie. Use una abrazadera para fijar la guía de taladro en su lugar y taladre una cavidad oculta.

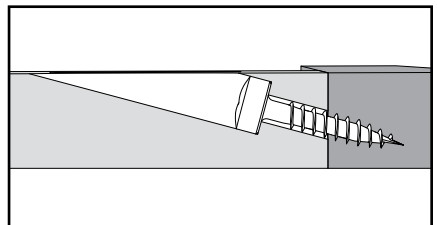


También puede taladrar una cavidad oculta en cada lado de la junta a inglete en lugar de taladrar ambos orificios en el mismo lado.



Unir materiales con un grosor de 1/2" (13 mm)

Al utilizar la guía y broca de taladro Micro Pocket opcional con materiales de un grosor de 1/2" (13 mm), una las piezas con tornillos Kreg SPS-F075. Las cabezas de diámetro pequeño de estos tornillos de cabeza plana de 3/4" (19 mm), se asientan debajo de la superficie de la pieza de trabajo para conectarlo con un tapón Micro de cavidad oculta.



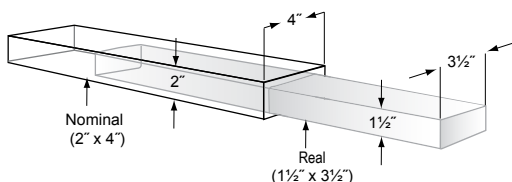
Tamaños comunes de tablas

Tamaño nominal	Tamaño real
1x2	$\frac{3}{4}" \times 1\frac{1}{2}"$
1x3	$\frac{3}{4}" \times 2\frac{1}{2}"$
1x4	$\frac{3}{4}" \times 3\frac{1}{2}"$
1x6	$\frac{3}{4}" \times 5\frac{1}{2}"$
1x8	$\frac{3}{4}" \times 7\frac{1}{4}"$
2x2	$1\frac{1}{2}" \times 1\frac{1}{2}"$
2x4	$1\frac{1}{2}" \times 3\frac{1}{2}"$
2x6	$1\frac{1}{2}" \times 5\frac{1}{2}"$
2x8	$1\frac{1}{2}" \times 7\frac{1}{4}"$
4x4	$3\frac{1}{2}" \times 3\frac{1}{2}"$
6x6	$5\frac{1}{2}" \times 5\frac{1}{2}"$

Tamaño nominal vs. tamaño real

En un almacén de madera o tienda para el hogar, verá etiquetas en la madera como "1x6" y "2x4". Estos tamaños "nominales" alguna vez describieron las dimensiones de la madera con corte áspero, antes de que fuese aserrada a su tamaño final o real. El tamaño real es siempre menor que el tamaño nominal.

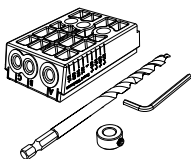
Las marcas del grosor de la tabla en el Kreg Jig® se refieren al grosor real de la tabla. Por ejemplo, una madera de 1x4 tiene en verdad $\frac{3}{4}"$ de grosor, por lo que debe ajustar la plantilla en la marca de $\frac{3}{4}"$.



6 consejos para reducir el resquebrajamiento

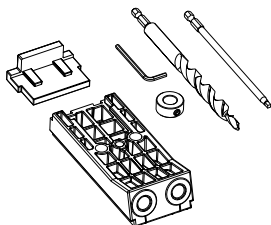
- 1 Pruebe las piezas.**
 Pruebe la junta con piezas de desecho cortadas del mismo material de la pieza de trabajo final.
- 2 Asegúrese de utilizar tornillos Kreg.**
 Los tornillos Kreg tienen puntas afiladas y autorroscantes que cortan a través de las fibras de madera.
- 3 Use el tipo de tornillo adecuado.**
 Use tornillos de rosca fina para madera dura. Estos tornillos #7 cortan menos madera que los tornillos de rosca gruesa #8 que se utilizan para madera suave, madera contrachapada, fibra de densidad media (MDF) y panel de aglomerado.
- 4 Introduzca el tornillo de manera progresiva.**
 Introduzca el tornillo hasta la mitad, sáquelo y limpie el exceso de fibras de madera del orificio y luego introduzca el tornillo completamente.
- 5 Reduzca la fricción.**
 Aplique cera de abejas u otro lubricante en el tornillo para reducir la fricción a medida que se introduce en la pieza de trabajo.
- 6 Fíjelo con una abrazadera correctamente.**
 Mueva hacia el centro de la línea de junta la almohadilla de la abrazadera para ejercer la misma presión en ambas piezas de trabajo y evitar que se desplacen. Una presión de ajuste firme obliga al tornillo a cortar a través de la madera en vez de separarla.

Disponibles en su concesionario Kreg o en línea en kregtool.com.



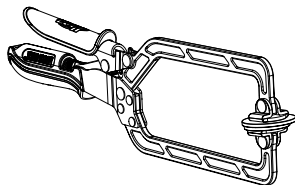
Micro Pocket™ Drill Guide

Con un diámetro de orificio un 25% más pequeño que nuestras cavidades ocultas estándar, la guía de taladro Micro Pocket™ le permite crear cavidades ocultas compactas en proyectos pequeños, materiales delgados y reparaciones estrechas.



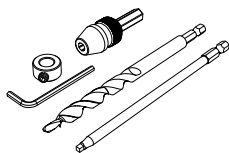
Kreg Jig® HD

Diseñado para utilizarse con materiales con un grosor de 1½" (38 mm) y estructuras más gruesas, este sistema para trabajo pesado cuenta con 14 tornillos de cavidad oculta de 2½" (64 mm).



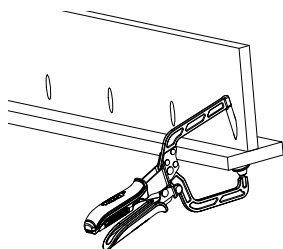
6" Wood Project Clamp with Automaxx®

Ajuste la presión deseada y esta abrazadera de 152 mm (6 pulg.) de alcance se ajustará automáticamente a cualquier grosor del material hasta 127 mm (5 pulg.).



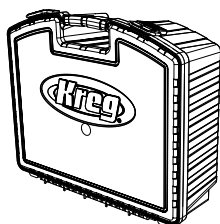
Quick Change Kit

Cambie de taladrar cavidades ocultas a insertar tornillos de cavidad oculta en segundos. El portabroca de cambio rápido se instala en cualquier portabroca de 3 mordazas para adaptarse a brocas de vástago hexagonal estándar de ¼" (6 mm).



Right-Angle Clamp with Automaxx®

Deslice la mordaza del pasador de acero de esta abrazadera hacia la cavidad oculta para sujetar las piezas de trabajo juntas en un ángulo de 90 grados. Luego coloque un tornillo en una cavidad oculta adyacente.



Kreg System Organizer

Guarde todo su taller de cavidades ocultas en esta caja compacta y a medida. Cuenta con espacio para las plantillas K3, K4 o K5 de cavidad oculta, abrazaderas Kreg, los bloques para guía Micro, HD y puntas de destornillador y brocas de taladro, y también para un surtido de tornillos para cavidades ocultas.





www.kregtool.com • 800.447.8638

For assistance with any Kreg product, contact us through our Web site or call Customer Service.

Si vous avez besoin d'aide concernant les articles Kreg, communiquez avec nous sur notre site Web ou appelez notre service à la clientèle.

Si requiere asistencia con cualquier producto Kreg, póngase en contacto con nosotros a través del sitio web o llame al Servicio al Cliente.