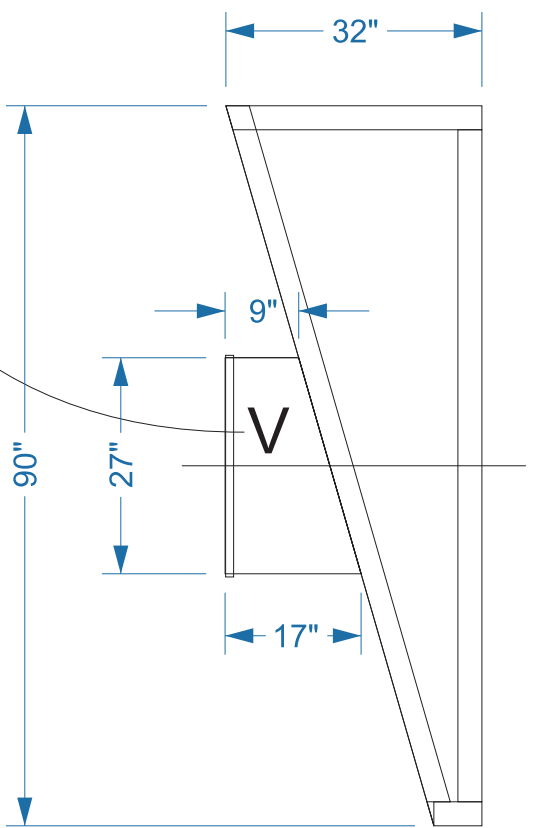


Mission:

Generate files for the Bend, Backs and Faces with the wall at this degree (73.9?).

Assuming Bend will need to be bent manually, However Can Sketchup generate flat pieces for the returns to be routed ??



Side View

6"